

Studebaker

TURNTABLE CASSETTE AM/FM STEREO RECEIVER AND CD RECORDER

SB6065 OWNER'S MANUAL



**PLEASE READ THIS USER MANUAL COMPLETELY BEFORE
OPERATING THIS UNIT AND RETAIN THIS BOOKLET FOR
FUTURE REFERENCE.**

WARNING:

TO REDUCE THE RISK OF FIRE OR ELECTRIC SHOCK, DO NOT EXPOSE THIS APPLIANCE TO RAIN OR MOISTURE. DANGEROUS HIGH VOLTAGES ARE PRESENT INSIDE THE ENCLOSURE. DO NOT OPEN THE CABINET REFER SERVICING TO QUALIFIED PERSONNEL ONLY.



THE CAUTION MARKING IS LOCATED AT THE BACK OF THE UNIT
THE RATING PLATE IS LOCATED AT THE BACK OF THE UNIT

CAUTION:

PLEASE READ AND OBSERVE ALL WARNINGS AND INSTRUCTIONS GIVEN IN THIS OWNER'S MANUAL AND THOSE MARKED ON THE UNIT. RETAIN THIS BOOKLET FOR FUTURE REFERENCE.

THIS SET HAS BEEN DESIGNED AND MANUFACTURED TO ASSURE PERSONAL SAFETY. IMPROPER USE CAN RESULT IN ELECTRIC SHOCK OR FIRE HAZARD. THE SAFEGUARDS INCORPORATED IN THIS UNIT WILL PROTECT YOU IF YOU OBSERVE THE FOLLOWING PROCEDURES FOR INSTALLATION, USE AND SERVICING. THIS UNIT DOES NOT CONTAIN ANY PARTS THAT CAN BE REPAIRED BY THE USER.



THE SYMBOL FOR CLASS II (DOUBLE INSULATION)

DO NOT REMOVE THE CABINET COVER OR YOU MAY BE EXPOSED TO DANGEROUS VOLTAGE. REFER SERVICING TO QUALIFIED SERVICE PERSONNEL ONLY.

IMPORTANT SAFETY INSTRUCTIONS

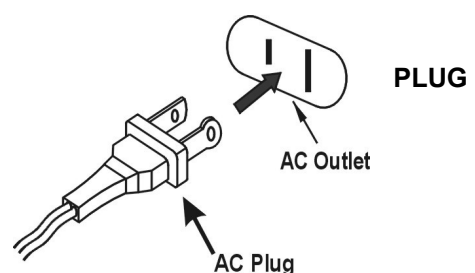
1. READ THESE INSTRUCTIONS.
2. KEEP THESE INSTRUCTIONS.
3. HEED ALL WARNINGS.
4. FOLLOW ALL INSTRUCTIONS.
5. DO NOT USE THIS APPARATUS NEAR WATER.
6. CLEAN ONLY WITH A DRY CLOTH.

7. DO NOT BLOCK ANY OF THE VENTILATION OPENINGS. INSTALL IN ACCORDANCE WITH THE MANUFACTURER'S INSTRUCTIONS.
8. DO NOT INSTALL NEAR ANY HEAT SOURCES SUCH AS RADIATORS, HEAT REGISTERS, STOVES, OR OTHER APPARATUS (INCLUDING AMPLIFIERS) THAT PRODUCE HEAT.
9. DO NOT DEFEAT THE SAFETY PURPOSE OF THE POLARIZED OR GROUNDING – TYPE PLUG. A POLARIZED PLUG HAS TWO BLADES WITH ONE WIDER THAN THE OTHER. A GROUNDING TYPE PLUG HAS TWO BLADES AND A THIRD GROUNDING PRONG. THE WIDE BLADE OR THE THIRD PRONG IS PROVIDED FOR YOUR SAFETY. IF THE PROVIDED PLUG DOES NOT FIT INTO YOUR OUTLET, CONSULT AN ELECTRICIAN FOR REPLACEMENT OF THE OBSOLETE OUTLET.
10. PROTECT THE POWER CORD FROM BEING WALKED ON OR PINCHED PARTICULARLY AT PLUGS, CONVENIENCE RECEPTACLES AND THE POINT WHERE THEY EXIT FROM THE APPARATUS.
11. ONLY USE ATTACHMENTS/ACCESSORIES SPECIFIED BY THE MANUFACTURER.
12. USE ONLY WITH A CART, STAND, TRIPOD, BRACKET, OR TABLE SPECIFIED BY THE MANUFACTURER, OR SOLD WITH THE APPARATUS. WHEN A CART IS USED, USE CAUTION WHEN MOVING THE CART/APPARATUS COMBINATION TO AVOID INJURY FROM TIP-OVER.
13. UNPLUG THIS APPARATUS DURING LIGHTNING STORMS OR WHEN UNUSED FOR LONG PERIODS OF TIME.
14. REFER ALL SERVICING TO QUALIFIED SERVICE PERSONNEL. SERVICING IS REQUIRED WHEN THE APPARATUS HAS BEEN DAMAGED IN ANYWAY, SUCH AS POWER-SUPPLY CORD OR PLUG IS DAMAGED, LIQUID HAS BEEN SPILLED OR OBJECTS HAVE FALLEN INTO THE APPARATUS, THE APPARATUS HAS BEEN EXPOSED TO RAIN OR MOISTURE, DOES NOT OPERATE NORMALLY OR HAS BEEN DROPPED.
15. THE APPARATUS SHALL NOT BE EXPOSED TO DRIPPING OR SPLASHING AND THAT NO OBJECTS FILLED WITH LIQUIDS, SUCH AS VASES, SHALL BE PLACED ON APPARATUS.
16. MAINS PLUG IS USED AS DISCONNECT DEVICE AND IT SHOULD REMAIN READILY OPERABLE DURING INTENDED USE. IN ORDER TO DISCONNECT THE APPARATUS FROM THE MAINS COMPLETELY, THE MAINS PLUG SHOULD BE DISCONNECTED FROM THE MAINS SOCKET OUTLET COMPLETELY.
17. BATTERY PACK OR BATTERY INSTALLED SHOULD NOT BE EXPOSED TO EXCESSIVE HEAT SUCH AS SUNSHINE, FIRE OR THE LIKE.
18. DANGER OF EXPLOSION IF BATTERY IS INCORRECTLY REPLACED. REPLACE ONLY WITH THE SAME OR EQUIVALENT TYPE.

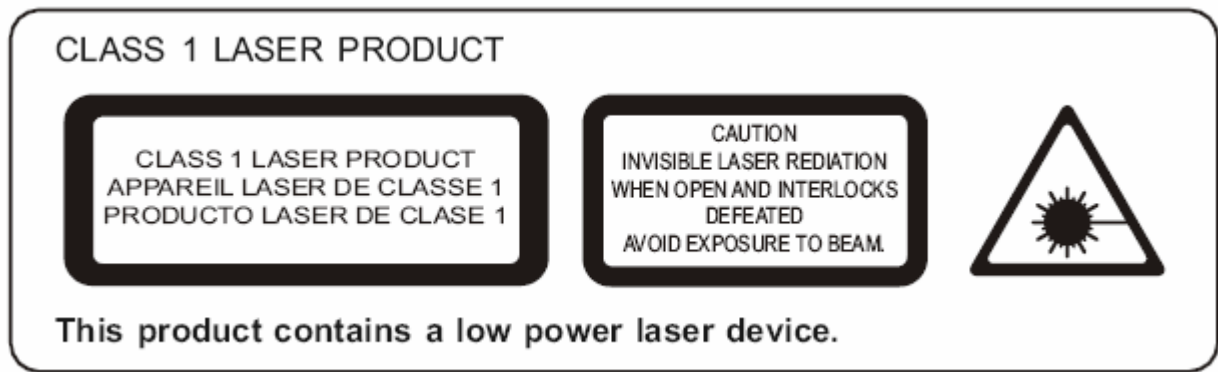


CAUTION:

TO PREVENT ELECTRIC SHOCK, MATCH WIDE BLADE OF TO WIDE SLOT. FULLY INSERT THE PLUG TO MAIN POWER SOCKET.



CAUTION



Note: This product complies with DHHS Rule 21 Subchapter J at date of manufacture.

Follow the advice below for safe and appropriate operation.

ON PROTECTION AGAINST LASER ENERGY EXPOSURE

- As the laser beam used in this compact disc player is harmful to the eyes, do not attempt to disassemble the casing.
- Stop operation immediately if any liquid or solid object should fall into the cabinet.
- Do not touch the lens or poke at it. If you do, you may damage the lens and the player may not operate properly.
- Do not put anything in the safety slot. If you do, the laser diode will be ON when the CD door is still open.
- This unit employs a laser. The use of controls or adjustment or performance of procedures other than those specified here may result in exposure to hazardous radiation.

ON PLACEMENT

- Do not use the unit in places which are extremely hot, cold, dusty or humid.
- Place the unit on a flat and even surface.
- Do not restrict the air-flow of the unit by placing it in a place with poor ventilation, by covering it with a cloth or by placing it on a carpet.

ON CONDENSATION

- When left in a heated room where it is warm and damp, water droplets or condensation may form inside the unit.
- When there is condensation inside the unit, the unit may not function normally. Let it stand for 1 to 2 hours before turning the power on, or gradually heat the room up and dry the unit before use.

Should any trouble occur, remove the power source and refer servicing to qualified personnel.

PRECAUTION FOR USE

- **UNPACK ALL PARTS AND REMOVE PROTECTIVE MATERIAL.**
- **DO NOT CONNECT THE UNIT TO THE MAINS BEFORE CHECKING THE MAINS VOLTAGE AND ALL OTHER CONNECTIONS HAVE BEEN MADE.**
- **DO NOT COVER ANY VENTS AND MAKE SURE THAT THERE IS A SPACE OF SEVERAL CENTIMETERS AROUND THE UNIT FOR VENTILATION.**

IMPORTANT NOTES

Avoid installing the unit in locations described below:

- Places exposed to direct sunlight or close to heat radiating appliances such as electric heaters.
- Places subject to constant vibration.
- Dusty, humid or moist places.

COMPLIANCE WITH FCC REGULATIONS

This device complies with Part 15 of the FCC Rules. Operation is subject to the following two conditions:

- (1) this device may not cause harmful interference, and
- (2) this device must accept any interference received, including interference that may cause undesired operation.

NOTE : This equipment has been tested and found to comply with the limits for a Class B digital device, pursuant to Part 15 of the FCC Rules. These limits are designed to provide reasonable protection against harmful interference in a residential installation. This equipment generates, uses and can radiate radio frequency energy and, if not installed and used in accordance with the instructions, may cause harmful interference to radio communications. However, there is no guarantee that interference will not occur in a particular installation. If this equipment does cause harmful interference to radio or television reception, which can be determined by turning the equipment off and on, the user is encouraged to try to correct the interference by one or more of the following measures:

- Reorient or relocate the receiving antenna.
- Increase the separation between the equipment and receiver.
- Connect the equipment into an outlet on a circuit different from that to which the receiver is connected.
- Consult the dealer or an experienced radio/TV technician for help.

CAUTION: Changes or modifications not expressly approved by the party responsible for compliance could void the user's authority to operate the equipment.

PROTECT YOUR FURNITURE!!

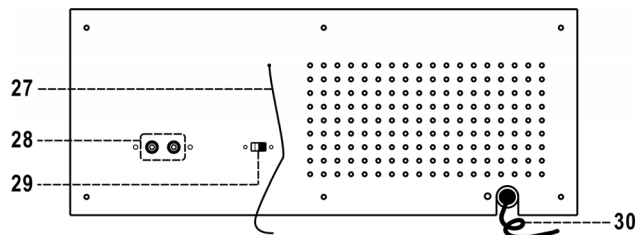
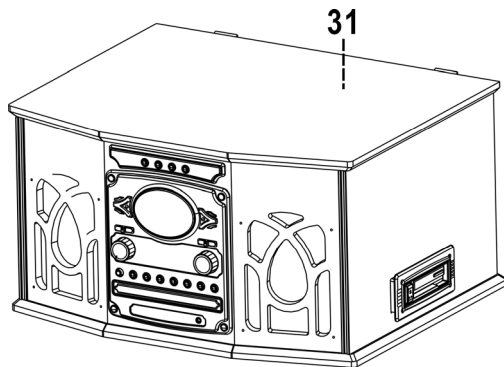
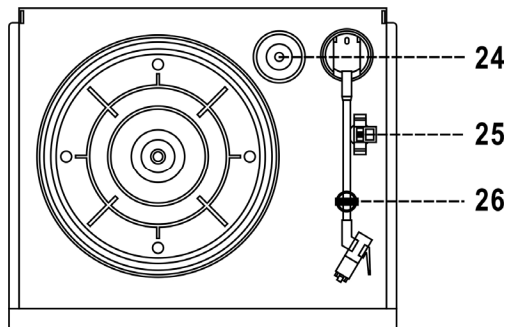
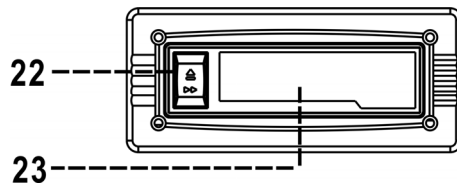
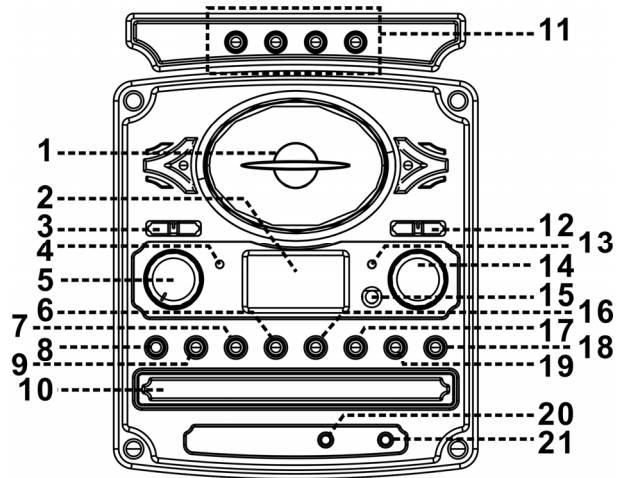
This system is equipped with non-skid rubber 'feet' to prevent the product from moving when you operate the controls. These 'feet' are made from non-migrating rubber material specially formulated to avoid leaving any marks or stains on your furniture. However certain types of oil based furniture polishes, wood preservatives, or cleaning sprays may cause the rubber 'feet' to soften, and leave marks or a rubber residue on the furniture.

To prevent any damage to your furniture we strongly recommend that you purchase small self-adhesive felt pads, available at hardware stores and home improvement centers everywhere, and apply these pads to the bottom of the rubber 'feet' before you place the product on fine wooden furniture.

LOCATION OF CONTROLS AND INDICATORS

MAIN UNIT

- 1) DIAL POINTER
- 2) LCD DISPLAY
- 3) POWER OFF/SOURCE/TUNER MODE SELECTOR
- 4) POWER LED INDICATOR
- 5) VOLUME CONTROL KNOB
- 6) CD SKIP DOWN ◀◀ BUTTON
- 7) FINALIZATION BUTTON
- 8) EXTRA BASS ON/OFF BUTTON
- 9) CD RECORD ● BUTTON
- 10) CD TRAY
- 11) CD/TAPE/PHONO/AUX FUNCTION BUTTONS
- 12) RADIO BAND SELECTOR
- 13) FM STEREO LED INDICATOR
- 14) TUNING KNOB
- 15) REMOTE IR SENSOR
- 16) CD SKIP UP ▶▶ BUTTON
- 17) CD STOP ■ BUTTON
- 18) CD TRAY OPEN/CLOSE ▲ BUTTON
- 19) CD PLAY/PAUSE ▶|| BUTTON
- 20) 3.5MM AUX-IN JACK
- 21) 3.5 MM HEADPHONE JACK
- 22) TAPE FAST FORWARD / EJECT BUTTON
- 23) CASSETTE DOOR DUST COVER
- 24) 45 RPM RECORD ADAPTOR
- 25) 33/45/78 RPM SPEED SELECTOR
- 26) TONE ARM HOLDER
- 27) FM WIRE ANTENNA
- 28) LINE OUT SOCKET (L/R)
- 29) TURNTABLE AUTO STOP SWITCH
- 30) AC POWER CORD
- 31) TURNTABLE DUST COVER

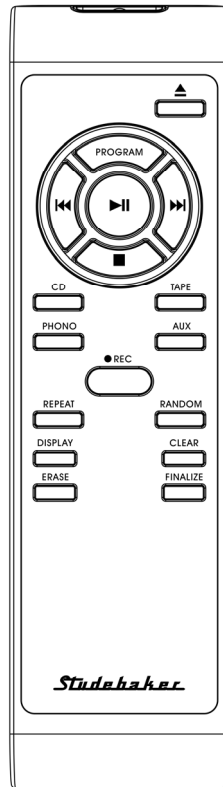


Caution:

Usage of controls or adjustments or performance of procedures other than those specified herein may result in hazardous radiation exposure. This unit should not be adjusted or repaired by anyone except qualified service personnel.

REMOTE CONTROL

BUTTON DESCRIPTION

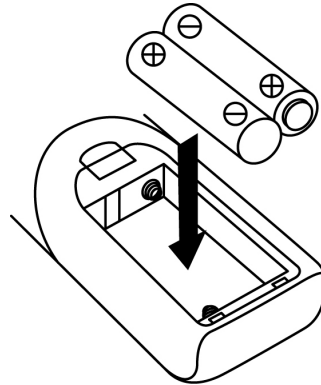


- 1) CD TRAY OPEN/CLOSE ▲ PRESS TO OPEN AND CLOSE THE CD DOOR
- 2) CD PROGRAM BUTTON PRESS TO ACTIVATE CD PROGRAMMING FUNCTION
- 3) CD SKIP UP ►►/DOWN ◀◀ PRESS TO SELECT PREVIOUS / NEXT TRACKS IN CD MODE
- 4) PLAY/PAUSE ►|| BUTTON
IN CD PLAYER MODE - PRESS TO START/PAUSE CD PLAYBACK
IN CD RECORDING MODE - PRESS TO CONFIRM FUNCTION
- 5) STOP ■ BUTTON PRESS TO STOP CD PLAYBACK
- 6) CD BUTTON PRESS TO SELECT CD FUNCTION
- 7) TAPE BUTTON PRESS TO SELECT TAPE FUNCTION
- 8) PHONO BUTTON PRESS TO SELECT PHONO FUNCTION
- 9) AUX BUTTON PRESS TO SELECT AUX IN FUNCTION
- 10) CD RECORD ● BUTTON PRESS TO ACTIVATE CD RECORDING FUNCTION
- 11) REPEAT BUTTON PRESS TO ACTIVATE CD REPEAT 1/ALL PLAY MODE
- 12) RANDOM BUTTON PRESS TO ACTIVATE CD RANDOM PLAY FUNCTION
- 13) DISPLAY BUTTON PRESS TO CHANGE CD PLAYBACK INFORMATION ON LCD DISPLAY
- 14) CLEAR BUTTON PRESS TO DELETE THE LATEST PROGRAMMED TRACK
- 15) ERASE BUTTON PRESS TO ERASE OR UNFINALIZE A CD-RW DISC
- 16) FINALIZE BUTTON PRESS TO FINALIZE THE CD-R/RW DISC AFTER RECORDING

BATTERY INSTALLATION

The battery compartment is located on the back of the remote control.

1. Remove the battery compartment door by pressing in on the tab and lifting it off.
2. Insert two (2) AAA size batteries (not included) into the battery compartment following the polarity markings inside the battery compartment.
3. Replace the battery compartment door.



BATTERY PRECAUTIONS

Follow these precautions when using a battery in this device:

1. Use only the size and type of battery specified.
2. Be sure to follow the correct polarity when installing the battery as indicated in the battery compartment. A reversed battery may cause damage to the device.
3. Do not mix different types of batteries together (e.g. Alkaline and Carbon-zinc) or old batteries with fresh ones.
4. If the batteries in the device are drained or the device is not to be used for a long period of time, remove the batteries to prevent damage or injury from possible battery leakage.
5. Do not try to recharge batteries that are not intended to be recharged. They can overheat and rupture. (Follow battery manufacturer's directions.)
6. Do not dispose of batteries in fire. Batteries may explode or leak.
7. Clean the battery contacts and also those of the device prior to battery installation.

CONNECTING THE AC POWER CORD

1. Unwind the AC power cord fully and connect it to any convenient household 120V~ 60Hz AC outlet.
2. Slide the POWER OFF/SOURCE/TUNER MODE SELECTOR to " TUNER " position and then turn up the volume knob to half level.
3. If POWER LED lights and sound is coming out from the speakers, it means the power supply is normal. Now your system is ready to play the music.

NOTE:

The product is designed to operate on normal 120V~ 60Hz AC only. Connecting this system to any other power supply could result in damage to the unit which is not covered by your warranty.

LISTENING TO RADIO

Manual Tuning

1. Slide the POWER OFF/SOURCE/TUNER MODE SELECTOR to “TUNER” position.
2. Slide the RADIO BAND SELECTOR to the desired band: AM, FM or FM-STEREO.
3. Tune to the required station with the TUNING KNOB.
4. Adjust VOLUME KNOB to the desire volume level.

FM & FM-Stereo Reception

- Set the RADIO BAND SELECTOR to “ FM ” position. Programs are received in mono mode. If the stereo signals are weak, it is preferable to receive the program in mono.
- Set the RADIO BAND SELECTOR to “ FM-ST ” position for receiving stereo programs. The FM-ST LED indicator will light up to show FM stereo program is receiving.

Hints for Best Reception:-

- AM: the system has a built-in AM bar antenna. If AM reception is weak, slightly rotating or re-positioning of the unit will usually improve the AM reception.
- FM: the system has an FM wire antenna located on the back of the set. This wire should be fully unwound and extended for best reception.

PLAYING COMPACT DISC

NOTE: This player will not only play commercial CDs but also self-compiled CD-R/RW discs. Do not attempt to play CD-ROM, CDI, VCD, DVD or computer CDs. In addition, some enhanced CDs containing images may not play properly in this unit.

Notes on CD-R/RW Discs

- Because of non-standardized format definition/production of CD-R/RW CD, playback quality & performance are not guaranteed.
- Manufacturer is not responsible for the playability of CD-R/RW CD due to recording conditions such as PC performance, writing software, media ability, etc.
- Do not attach a label or seal to either side of the CD-R/RW disc. It may cause a malfunction.

The following procedures can be accomplished by using the remote or main controls on the unit.

● Getting Started

1. Slide MODE SELECTOR to “ SOURCE ” position. The LCD display will show “ PLS SELECT FUNCTION ” message after “ busy “ message disappeared.
2. Press the CD function button, the LCD display will show “ busy “ and then “ no disc “ if the CD compartment is empty.
3. Press the “ OPEN/CLOSE ▲ ” button to open the CD tray. Place a CD with the printed side facing up inside the tray & then close the CD door.
4. Focus search is performing and LCD display will show “ busy “ and then display the total number of tracks & total playing time of the CD.

● Play/Pause Mode ►||

1. Press the “ PLAY/PAUSE ►|| ” button to start playback, the first track will start playback.
2. To temporarily stop playback, press the “ PLAY/PAUSE ►||” button once, the playing time will be freeze on the LCD display. Press the “ PLAY/PAUSE ►||” button once more to cancel pause and resume playback.

● **Stop Mode ■**

1. If “ STOP ■ ” button is pressed during play or pause mode, the CD will stop playback and display total number of tracks on the LCD display.

● **Skip Mode (skip up ►►/ skip down ◀◀)**

1. During play or pause mode, if “SKIP UP ►►” button is pressed, it will go to the next track and display the track number. It will remain in the play or pause mode.
2. During play or pause mode, if “SKIP DOWN ◀◀” button is pressed, it will go back to the previous track and remain in the play or pause mode.

● **Display information**

During CD playback, press the DISPLAY button to toggle select increasing or decreasing elapse timer of CD playback.

Notes:

- Always press the “ STOP ■ ” button to stop CD playback and resume the LCD to display original information before pressing the “ OPEN/CLOSE ▲ ” button for disc changing.
- The reaction time of the CD burner is longer than normal CD player due to the complicated system. Keep pressing different functions within a short time may cause malfunction of the system. Please re-start the unit by turning the power off and on again if this happens.
- The reading and playback time of CD-R/RW disc is various from brand to brand. It depends on the compatibility of the disc.

● **Repeat/Random Mode (by remote control)**

Press the repeat/random button before or during playback, a single track or all the tracks can be played in different modes as follows:-

(1) Repeat All Tracks → (2) Repeat One Track → (3) Off mode



Play mode	Indicator on LCD display
Repeat track	Ⓢ
Repeat all	Ⓢ
Off mode	-----

● **Random Play Mode (by remote control)**

- Press the RANDOM button on remote control and it will activate the shuffle play function and the random indicator “ RAN “ will show on LCD display. Pressing the “ REPEAT “ button once will cancel the random play function.

Compact Disc Programming (by remote control)

Up to 32 tracks can be programmed for CD and play in any order. Before use be sure the system is at stop mode before programming.

1. Set in CD mode and stop the disc playback.
2. Press the “PROGRAM” button, “ PROG “ indicator will appear on LCD display. Moreover, it will indicate program number P-01 and digits for track number to be programmed.
3. Select a desired track by pressing SKIP UP ►► or DOWN ◀◀ buttons.

4. Press the “ PROGRAM ” button to store the track into memory. The program counter advances to P-02.
5. Repeat steps 3 and 4 to enter additional tracks into the memory if necessary.
6. When all the desired tracks have been programmed, press the “ PLAY/PAUSE ►||” button to play the disc in assigned order.
7. To cancel the programmed tracks, press the “STOP ■” button twice until “ PROG “ indicator disappears from the LCD display.

Remark:

- After programming, you can delete the programmed track(s) in the order from the last one to the first one by pressing the “ CLEAR “ button on the remote control.
- After deleting unwanted programmed track(s), press the SKIP UP ►► or DOWN ◀◀ buttons to select the desired new programmed track and then press the “PROGRAM” button to store it. This function allows you to re-program the memory from the middle if necessary.

CD RECORDING FUNCTION

Apart from the CD playback function, this unit can perform the CD recording function either from the PHONOGRAPH / TAPE / AUX IN mode, respectively. All the recording tracks will be stored in “ **Audio-CD** “ format:-

Before starting, place a CD-R or CD-RW disc in the CD compartment. The disc is able to record only if the LCD display shows the “ NO TOC “ indicator.

NOTE: CD-R disc can be recorded once only and does not support erase or re-record functions. The playback quality of either CD-R/RW discs vary due to different kinds of audio CD player devices.

Important Notices:

- The revolving speed of CD burner is higher than normal CD mechanism. Thus, some mechanical noise and vibration of unit cabinet may occur during operation. This is not a malfunction of the system.
- Due to the variety of the quality and the compatibility of CD-R/RW discs in the market, please change to another brand if you find the one you are using is not able to record or the performance is not stable.

A) Recording Mode

i) Phonograph Recording

- 1) Slide MODE SELECTOR to “ SOURCE ” position. Then press the “ PHONO “ button. Place the record and get ready for playback.
- 2) Press the “REC ● “ button. Record icon REC appears on LCD display and pauses.
- 3) Press the “ PLAY/PAUSE ►|| ” button until the play indicator “ ► “ shows on LCD display.
- 4) After a few seconds, the LCD display will show the time counter and now the system is starting the recording process. Now start the playback of the record at phono mode.
- 5) During the recording, you can record the desired session by pressing the “PLAY/PAUSE ►||” button. A new CD track will be created. Press the “ PLAY/PAUSE ►|| ” to continue recording next session.
- 6) After completion of recording, press the “ STOP ■ ” button and then stop the playback of vinyl.

ii) Cassette Recording

- 1) Slide MODE SELECTOR to “ SOURCE ” position. Then press the “ TAPE “ button. Insert a recorded cassette tape & get ready to playback the track you want to record and then remove the tape.
- 2) Press the “REC ● “ button and then press the “ PLAY/PAUSE ►|| ” button until the play indicator “ ► “ shows on the LCD display.
- 3) After a few seconds, the LCD will show the time counter and now the system begins the recording process. Now insert the source tape to start playback of the track you want to record.
- 4) During the recording, you can record the desired session by pressing the “PLAY/PAUSE ►||” button. A new CD track will be created. Press the “ PLAY/PAUSE ►|| ” to continue recording next session.
- 5) After completion of recording, press the “ STOP ■ ” button and then stop the playback of the cassette tape.

iii) Aux-In Recording

- 1) Slide MODE SELECTOR to “ SOURCE ” position. Then press the “ AUX “ button. Use an audio cable (not included) with one 3.5 mm stereo plug on each end of the cable. Connect the headphone output of the audio device (such as MP3 player, CD player, etc.) to one end of the cable while another end to the 3.5mm AUX-IN jack of the unit.
- 2) Adjust the volume output level on your audio player device if the recording level is too high.
- 3) Repeat the same procedures from steps 2 to 5 as described for other recording modes above.

Remark:

- The unit supports 1X recording speed which is in synchronization with the actual playing time of the source.
- When you press the “ PLAY/PAUSE ►|| ” button during the recording, a “ busy “ message will briefly appear on the LCD and the recording is paused. To start recording a new track, press the “ PLAY/PAUSE ►|| ” button again, the play indicator “ ► “ will show on the LCD display.

B) Recording Setting

i) Recording Level

The preset recording level of the system is lower than original music source in order to avoid distortion during recording except AUX-IN recording mode.

ii) Finalize a CD-R/RW Disc

You must convert the CD-R/RW disc into standard CD before playing on other audio CD players. This process is known as finalizing and a table of contents (TOC) will be written to the CD at the same time.

- 1 · Select CD function mode and place the CD-R/RW disc you are going to finalize.
- 2 · Press the FINALIZE button during CD stop mode. “ FIN-d “ message will appear on the LCD display. Press the “ STOP ■ ” button to quit finalize mode if necessary.
- 3 · Press the “ PLAY/PAUSE ►|| ” button to start finalizing and the LCD display will show “ busy “ message during this process.
- 4 · After completion, the CD tray will open automatically. “ NO TOC “ indicator will disappear from LCD display when you load the disc that has been finalized.

Notes:

- The time for finalizing is subject to the contents of the recording and it may take up to 15 minutes in some cases.
- No button is working during finalize process.
- Never turn off the power or un-plug the power cord during finalize process.
- The CD-R disc cannot be recorded again after finalizing.
- Although finalized CD-R disc may be played on ordinary CD players, remember that finalized CD-RW disc may not play on ordinary CD players.
- Due to the variation of the compatibility of CD-R or CD-RW discs in the market, please change to another one if you find the recording performance of existing one is not up to satisfaction. This is not the malfunction of the system.

C) Un-finalize or Erase a CD-RW Disc (by remote control)

It is possible to erase the last recorded track or erase a whole record disc (CD-RW disc only)

i) Un-finalize A CD-RW

1. Set at CD mode and place the finalized CD-RW disc you would like to delete in the drive..
2. Wait until “ busy “ disappears from the LCD display, press the “ ERASE “ button at CD stop mode, “UN FIN-d” message will appears on the LCD display.
3. Press the “ PLAY/PAUSE ►|| ” button to start un-finalize and wait until “ busy “ disappears on the LCD display.
4. “NO TOC” indicator, total track numbers and playing time will appear on the LCD display after un-finalize processing is completed.

ii) Erase One Track

1. Set at CD mode and place the CD-RW disc you would like to delete in the drive. Wait until “ busy “ message disappears from the LCD display. If the disc is finalized, you have to un-finalize it before you can delete track.
2. Press the “ ERASE “ button at CD stop mode, erase last track message “Er XX” will appear on the LCD display. The “XX” is the last track number of the disc.
3. Press the “ PLAY/PAUSE ►|| ” button to start erasing the last track.
4. Repeat step 2 and 3 to continue to erase the last track if necessary.
5. Press the “ STOP ■ ” button to quit erase mode if necessary.

iii) Erase All Tracks

1. Set to CD function mode and place the CD-RW disc you would like to delete in the drive.
2. Press the “ ERASE “ button two times at CD stop mode & wait until erase all message “ Er ALL “ appear on the LCD display.
3. Press the “ PLAY/PAUSE ►|| ” button to start erasing.
4. The LCD display will show “ 0000000 “ to confirm the erase process is completed.

Notes:

- This operation cannot be undone.
- CD-RW disc tracks from other systems cannot be erased one by one in this unit but it is possible to erase all.

LISTENING TO TAPE

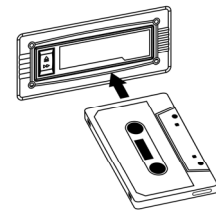
General Operation

Cassette Playback The system will start the playback automatically after inserting a cassette tape

Fast Forwarding

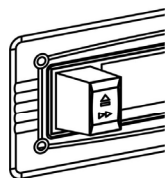
Press the “ TAPE FAST FORWARD / EJECT “ button inwards half way when playing, the tape will be advanced forward rapidly.

Slightly press the “ TAPE FAST FORWARD / EJECT “ button again to resume normal playback. The button will resume to the outermost position.

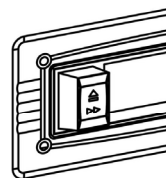


Stop and Ejection

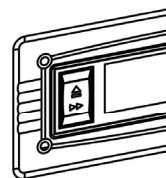
Press the “ TAPE FAST FORWARD / EJECT “ button all the way down to end the playback, the cassette tape will be ejected through the cassette door.



PLAY



FAST FORWARD



EJECT

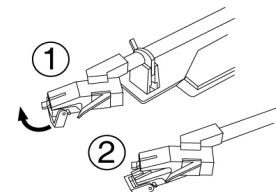
Notes:

- Make sure the direction is correct when inserting the tape into the system.
- Some searching noise can be heard and the system cannot perform normal playback function during fast forward mode.
- It is recommended to take out the cassette tape from the system every time after listening and don't leave the cassette tape inside the system when not under playback mode.

STEREO PHONOGRAPH OPERATION

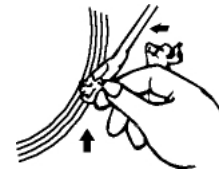
Notes:

- Lift up the turntable dust cover until it being locked.
- Move up the stylus protector.
- Be sure that the tone arm is being detached from the tone arm rest before operating and re-secured again afterwards.



1. Press the “ PHONO ” button at source mode.
2. Place a record on the platter, over the center spindle (use the 45 RPM record adaptor when playing 45 RPM record).
3. Set the Speed selector to 33, 45 or 78 rpm according to the record you are playing.
4. Lift the tone arm from the rest and slowly move it over the record. The platter will turn.

5. Move the tone arm to the beginning of the record, or to the start of a particular track. Gently lower the tone arm onto the record to start playing.
6. Adjust the volume knob to the desired level.
7. When the record is played to the end of the record, the platter will automatically stop rotating. Lift the tone arm and return it to the rest position.
8. To stop the record manually, lift up the tone arm and return it to the rest position.
9. Unlock the dust cover and close it after finish listening.




Remark: Some types of records may have an auto-stop area outside the preset limit, so the turntable may stop before the last track finishes. In this case, set the auto-stop switch to the “OFF” position. This allows the record to play to the end, but it will not stop automatically. You must manually raise the tone arm and place it back in the rest to stop the turntable from spinning and turn it off.

Line Out Connection

You can connect this unit to your external Hi-Fi / AMPLIFIER system by connecting the LINE OUT socket to the auxiliary input socket of your Hi-Fi / AMPLIFIER system with RCA cables (not included).

Note: The Volume control of the main unit will not function when using the LINE OUT.

Extra Bass Sound Effect

Press the X-BASS button to active x-bass function and enhance the bass effect at “ on  “ position.

AUXILIARY INPUT

This unit provides an auxiliary audio signal input jack for connecting external audio devices like MP3 players, CD players and older, non-dockable iPods (except iPod shuffle 3rd gen) so you can listen to your external source through the speakers of this system.

1. Use an audio cable (not included) with one 3.5 mm stereo plug on each end of the cable.
2. Plug one end into the Aux-in jack on the main unit and the other end of the cable into the Line-out Jack or Headphone Jack of your external audio device.
3. Turn on the external audio device.
4. To select auxiliary audio input, press the AUX button to select “AUX IN” mode.
5. The volume level can now be controlled through the main unit. Operate all other functions on the auxiliary device as usual.

Note:

- (1) If the Line Out Jack of your external device is connected, then you only need to adjust the volume control of this system. If the Headphone Jack of your external device is connected, then you may need to adjust both the volume control of your external device and the volume control of this system to find the most desirable volume setting.

- (2) Slide the MODE SWITCH to turn off the system when you finish listening. Don't forget to switch off the power on your external device as well.

RESETTING

If the system does not respond or has erratic operation, you may have experienced an electrostatic discharge (ESD) or a power surge that triggered the internal computer to shut down automatically. If this occurs, simply turn off the power by switching the MODE SELECTOR to POWER OFF position and wait for three minutes, then turn the power ON again.

CARE AND MAINTENANCE

1. Do not subject the unit to excessive force, shock, dust or extreme temperature.
2. Do not tamper the internal components of the unit.
3. Clean your unit with a dry cloth. Solvent or detergent should never be used.
4. Avoid leaving your unit in direct sunlight or in hot, humid or dusty places.
5. Keep your unit away from heating appliances and sources of electrical noise such as fluorescent lamps or motors.
6. Always clean the outside of the cabinet thoroughly if it becomes wet with moisture or water splashes. This will help to protect the internal parts of the unit from entry of water and possible moisture damage.

CASSETTE CARE

Two common causes of trouble experienced when using cassettes are:

- 1) Tape Jamming – Leading to uneven speed in playback, and
- 2) Tape Tangling – Where the tape wraps itself around ital parts of the mechanism.

To reduce the likelihood of these problems occurring, the following precautions should be observed:

- Check that there are no loose layers of tape visible through the cassette center window (see Fig. 1). Take up any loose layers, using a pencil or hexagonal barrelled ballpoint pen, before inserting the cassette into the machine (see Fig.2)
- If the cassette feels tight while performing operation shown (see Fig.2), the tape may be jamming due to ridges formed in the winding of the tape (visible through the center window). These may be removed, in most cases, by fast winding of the cassette from one end to the other and back again.
- Use only well-known brands of tape. Avoid use of C-120 cassettes.

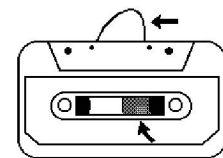


Fig.1

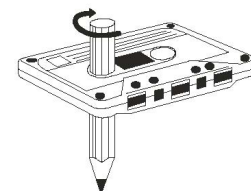
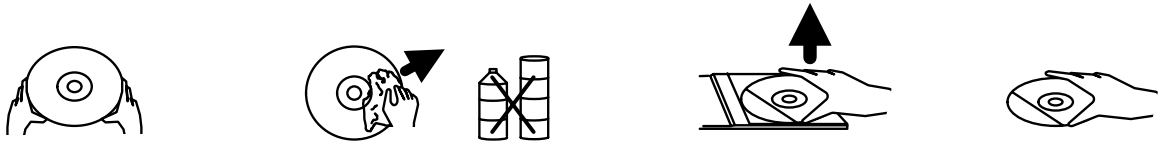


Fig. 2

Furthermore, do not expose cassettes to direct sunlight, dust or oil, and do not touch the tape surfaces.

COMPACT DISC CARE

- Handle the disc only by its edges. Never allow your fingers to come in contact with the shiny, unprinted side of the disc.
- Do not attach adhesive tape, stickers etc., to the disc label.
- Clean the disc periodically with soft, lint-free, dry cloth. Never use detergents or adhesive cleaners to clean the disc. If necessary, use a CD cleaning kit.
- If disc skips or gets stuck on a section of the disc, it is probably dirty or damaged (scratched).
- When cleaning the disc, wipe in straight lines from the center of the disc to the edge of the disc. Never wipe in circular motions.
- To remove a disc from its storage case, press down on the center of the case and lift the disc out, holding it carefully by the edges.
- Fingerprints and dust should be carefully wiped off the disc's recorded surface with a soft cloth. Unlike conventional records, compact discs have no grooves to collect dust and microscopic debris so gently wiping with a soft cloth should remove most particles.



CLEANING THE UNIT

- To prevent fire or shock hazard, disconnect your unit from the AC power source when cleaning.
- The finish on the unit may be cleaned with a dust cloth and cared for as other furniture, Use caution when cleaning and wiping the plastic parts.
- If the cabinet becomes dusty wipe it with a soft dry dust cloth. Do not use any wax or polish sprays on the cabinet.
- If the front panel becomes dirty or smudged with fingerprints it may be cleaned with a soft cloth slightly dampened with a mild soap and water solution. Never use abrasive cloths or polishes as these will damage the finish of your unit.

CAUTION: Never allow any water or other liquids to get inside the unit while cleaning.

TROUBLESHOOTING GUIDE

SHOULD YOU EXPERIENCE DIFFICULTIES IN THE USE OF THIS PLAYER PLEASE REFER TO THE FOLLOWING CHART OR CALL 1-800-777-5331 FOR CUSTOMER SERVICE.

PROBLEM	POSSIBLE CAUSE	SOLUTION
The unit does not respond (no power)	The unit is disconnected from the AC outlet	Reconnect to the AC outlet.
	AC outlet is not functioning.	Plug another device into the same outlet to confirm the outlet is working.
AM band is too noisy	The reception at the set location is poor.	Slightly rotate the unit for the best reception.
FM STEREO indicator does not light up	You have tuned to a mono station or the station is too weak.	Select another FM station or extend or rotate the wire antenna for best reception.
	FM MONO MODE is set.	Set the FM MODE to STEREO.
Sound is distorted	Volume level is set to high.	Decrease the volume.
	Sound source is distorted.	Try a different audio source such as a music CD.
The tape does not move.	The cassette tape is not inserted properly.	Insert the cassette tape correctly.
	The tape has reached the end.	Flip the cassette.
No sound from tape.	The tape heads are dirty.	Clean the tape heads.
Tape sound is distorted or faint.	The tape heads are dirty.	Clean the tape heads.
CD Player does not play.	CD Mode is not selected.	Slide the FUNCTION switch to select CD mode.
	CD is not installed or installed incorrectly.	Press the CD onto spindle, printed side facing up.
CD skips while playing	Disc is dirty or scratched.	Wipe with cloth or another disc.
Unit gets warm after extended play at high volume	This is normal	Turn the unit off for a period of time or lower volume.

SPECIFICATION

Power Requirement

Main unit:	AC120V~ 60Hz
Remote control	2 x 1.5V “AAA” (UM-4) size batteries (not included)

Frequency Range

Radio Band	FM 88 ~ 108 MHz
	AM 530 ~ 1710 KHz

Power Consumption

Main Unit:	30Watts
------------	---------

90 DAY LIMITED WARRANTY AND SERVICE

VALID IN THE U.S.A ONLY

SPECTRA MERCHANDISING INTERNATIONAL, INC. warrants this unit to be free from defective materials or factory workmanship for a period of 90 days from the date of original customer purchase and provided the product is utilized within the U.S.A. This warranty is not assignable or transferable. Our obligation under this warranty is the repair or replacement of the defective unit or any part thereof, except batteries, when it is returned to the SPECTRA Service Department, accompanied by proof of the date of original consumer purchase, such as a duplicate copy of a sales receipt.

You must pay all shipping charges required to ship the product to SPECTRA for warranty service. If the product is repaired or replaced under warranty, the return charges will be at SPECTRA's expense. There are no other express warranties other than those stated herein.

This warranty is valid only in accordance with the conditions set forth below:

1. The warranty applies to the SPECTRA product only while:
 - a. It remains in the possession of the original purchaser and proof of purchase is demonstrated
 - b. It has not been subjected to accident, misuse, abuse, improper service, usage outside the descriptions and warnings covered within the owner's manual or non-SPECTRA approved modifications
 - c. Claims are made within the warranty period
2. This warranty does not cover damage or equipment failure caused by electrical wiring not in compliance with electrical codes or SPECTRA owner's manual specifications, or failure to provide reasonable care and necessary maintenance as outlined in the owner's manual.
3. Warranty of all SPECTRA products applies to residential use only and is void when products are used in a nonresidential environment or installed outside the United States.

This warranty gives you specific legal rights, and you may also have other rights which vary from state to state. TO OBTAIN SERVICE please remove all batteries (if any) and pack the unit carefully and send it freight prepaid to SPECTRA at the address shown below. IF THE UNIT IS RETURNED WITHIN THE WARRANTY PERIOD shown above, please include a proof of purchase (dated cash register receipt) so that we may establish your eligibility for warranty service and repair of the unit without cost. Also include a note with a description explaining how the unit is defective. A customer service representative may need to contact you regarding the status of your repair, so please include your name, address, phone number and email address to speed the process.

IF THE UNIT IS OUTSIDE THE WARRANTY PERIOD, please include a check for \$150.00 to cover the cost of repair, handling and return postage. All out of warranty returns must be sent prepaid.

It is recommended that you contact SPECTRA first at 1-800-777-5331 or by email at info@spectrainl.com for updated information on the unit requiring service. In some cases the model you have may be discontinued, and SPECTRA reserves the right to offer alternative options for repair or replacement.

SPECTRA MERCHANDISING INTERNATIONAL, INC.
4230 North Normandy Avenue,
Chicago, IL60634, USA.
1-800-777-5331

To register your product, visit the link below on the website to enter your information.
<http://www.spectrainl.com/wform.htm>

Printed in China