

HELLO KITTY®

© 1976, 2012 SANRIO CO., LTD.

FLAT IRON/STRAIGHTENER



USER MANUAL

KT3060BP

⚠ WARNING:

This is an electric appliance – not a toy! To avoid risk of fire, burns, personal injury and electric shock it should not be played with or placed where small children can reach it. Not appropriate for use by children 12 years of age and younger.

IMPORTANT SAFETY INSTRUCTIONS

When using electrical appliances, especially when children are present, basic safety precautions should always be followed, including the following:

READ ALL INSTRUCTIONS BEFORE USING KEEP AWAY FROM WATER

DANGER:

As with most electrical appliances, electrical parts are electrically live even when the switch is off.

To reduce the risk of death by electric shock:

1. Always “unplug it” immediately after using.
2. **DO NOT** use while bathing.
3. **DO NOT** use or place or store appliance where it can fall or be pulled into a tub or sink.
4. **DO NOT** place in or drop into water or other liquid.
5. If an appliance falls into water, “unplug it” immediately. Do not reach into the water.



WARNING:

To reduce the risk of burns, electrocution, fire or injury to persons:

1. This appliance should never be left unattended when plugged in. Turn off the switch and unplug the electrical cord when not in use.
2. Close supervision is necessary when this appliance is used by, on, or near children or individuals with certain disabilities.
3. Use this appliance only for its intended use as described in this manual. **DO NOT** use attachments not recommended by the manufacturer.
4. Never operate this appliance if it has a damaged cord or plug, if it is not working properly, or if it has been dropped, damaged, or dropped into water. Return the appliance to a service center for examination and repair.
5. Keep the cord away from heated surfaces. **DO NOT** pull, twist or wrap the cord around the appliance.
6. Never use while sleeping.
7. Never drop or insert any object into any opening.
8. **DO NOT** use outdoors or operate where aerosol (spray) products are being used or where oxygen is being administered.
9. This flat iron and its plates are hot when in use. **DO NOT** let eyes and bare skin touch heated surfaces. Use the handle.
10. **DO NOT** use an extension cord with this appliance.
11. **DO NOT** place the heated appliance directly on any surface while it is hot or plugged in.



KEEP AWAY FROM CHILDREN

SAVE THESE INSTRUCTIONS

WELCOME TO THE WORLD OF HELLO KITTY

We have taken great care to make sure that your product was in perfect working order when it left our factory. It has been designed to give you many years of enjoyment and trouble free operation. Read this manual before operating this unit to become familiar with its features and obtain the performance that will bring you continued satisfaction for many years.

For future reference, record the serial number in the space provided.

Model Number: KT3060BP

Serial Number: _____

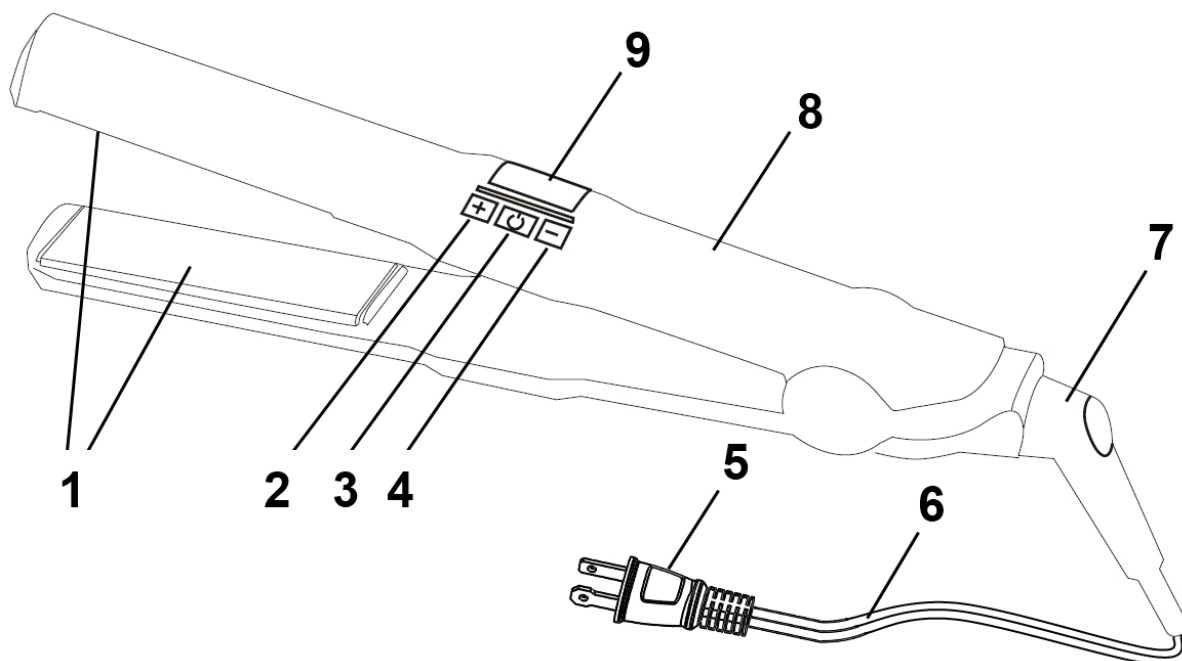
CONTENTS OF THE BOX

Flat Iron/Straightener	x 1 pc
Heat Resistant Carry Pouch	x 1 pc
User Manual	x 1 set

PRODUCT FEATURES

- Advanced smoothing, nano silver and tourmaline technology
- Ceramic heating plates for fast heat up (445°F / 230°C) and quick cool down
- Universal voltage suitable for use with voltage from 100 to 240V~ 50/60Hz
- Auto shutoff automatically powers off in 60 minutes for protection and energy saving
- Backlit LCD display provides important information on working status and temperature
- Durable 9 foot, 360 degree swivel power cord for flexible operation and prevention of cord entanglement.

KNOW YOUR PRODUCT



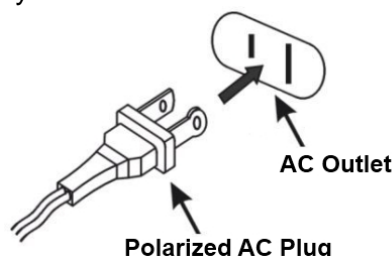
- | | |
|------------------------------------|--------------------------------|
| 1. Floating Heating Plates | 6. AC Power Cord (9 feet long) |
| 2. Temperature Increase (+) Button | 7. 360 Degree Swivel Head |
| 3. Power (⏻) Button | 8. Body |
| 4. Temperature Decrease (-) Button | 9. Backlit LCD Display |
| 5. Polarized AC Plug (for USA) | |

OPERATING INSTRUCTIONS

POWER REQUIREMENT

This appliance is intended for household use only. The appliance is designed to work on worldwide voltage 100-240V~ 50/60Hz such that you can use it at home or while you are travelling abroad (special AC plug converter (not included) may be needed).

This appliance is fitted with a polarized plug (one blade is wider than the other). As a safety feature, this plug will fit in a polarized household outlet only one way. If the plug does not fit fully in the outlet, reverse the plug. If it still does not fit, contact a qualified electrician, **DO NOT** attempt to defeat this safety feature.



START UP

1. Plug the flat iron into an electrical outlet.
2. Press the Power Button to turn on the unit. The LCD Display will light in green.
3. The default temperature setting is 355°F / 180°C.
4. Press either the “+” or “-“ Button to select a suitable temperature from 11 preset values for your hair (see table below).
5. The LCD Display will keep flashing until the desired temperature is reached. Depending on ambient room temperature, it may take about 30 to 180 seconds to reach the desired temperature.

CHOOSING THE RIGHT TEMPERATURE FOR YOUR HAIR

Heat Level	Temperature	Suggested Hair Type
1	265°F / 130°C	Pale, blonde, bleached and/or damaged
2	285°F / 141°C	
3	300°F / 149°C	
4	320°F / 160°C	Fine, medium-textured and/or softly waved
5	340°F / 171°C	Normal, colored and/or wavy
6	355°F / 180°C	
7	375°F / 191°C	Coarse, curly and/or hard-to-straighten
8	395°F / 202°C	
9	410°F / 210°C	Thick and/or very curly
10	430°F / 221°C	
11	445°F / 230°C	

⚠ CAUTION: Flat irons with temperature control operate at high temperatures when used on high settings. When using for the first time, begin with the LOWEST setting. Please read all instructions carefully before using.

STRAIGHTENING YOUR HAIR

1. Hair should be cleaned and blow dried before using any styling tool.
2. Untangle the hair with a large-tooth comb thoroughly before straightening.
3. To achieve the best possible result, add products designed especially for straightening to your hair.
4. Separate a 2-inch section of hair, gently place between the heating plates and clamp the unit down firmly.

5. Carefully slide the unit along the isolated section, making sure the hair is heated and straightened all the way from the roots to the ends. The ends will probably require less heat than the hair which grows closer to the scalp.
6. For best results, work from the scalp to the ends of your hair and hold end of hair while straightening.
7. To remove hair from the unit, simply release pressure and allow the hair to gently slip out from the smoothing plates.
8. The straightening process does NOT require overlapping. Separate each section of hair and work on it as indicated above.
9. Allow hair to cool before combing.
10. Repeat the process until you have achieved the look you desire.
11. When styling is complete, unplug the appliance and allow it to cool completely before storing.

Tips:

- Every time you use the unit, there might be a little bit of smoke. This could result from evaporating sebum or the remnants of hair products (left-in hair care, spray, etc.) or damp hair.
- Give your hair the final touch. Set the style with a light mist of hairspray or a small amount of mousse, but do not brush your hair.
- While straightening your hair. If you find that you need a lower temperature setting, adjust the temperature by pressing the “-“ Button. Because the unit is already hot, it may take a few minutes to cool off.

SHAPING YOUR HAIR

This unit can also be used to accent certain sections of hair (to straighten the fringe or create a tousled look, etc.)

- To style your hair with the ends curling under, follow the above instructions but turn the unit inwards. Hold in place for a few seconds, then release, and brush when blow drying.
- To have the ends curl out, use the same movement but turn the unit outward.

AUTO SHUTOFF

If you leave this unit on accidentally, it will turn itself off automatically after about 60 minutes for safety and energy saving.

MAINTENANCE AND STORAGE

MAINTENANCE

Your appliance is virtually maintenance free. No lubrication is needed. Keep heated surfaces clean and free of dust, dirt, and hair spray. If cleaning becomes necessary, unplug the appliance from the power source and wipe the exterior with a damp cloth. If the cord becomes twisted, untwist prior to use. To guarantee smooth operation and safety, check your unit regularly.

WARNING:

If any malfunction occurs, do not attempt to repair by yourself. This appliance has no user-serviceable parts.

STORAGE

When not in use, “unplug it.”

- Allow appliance to cool completely and store out of reach of children in a safe, dry location.
- Never wrap the power cord around the appliance since this will cause it to wear prematurely and break.

- Handle power cord carefully for longer life and avoid jerking, bending sharply, twisting, or straining cord, especially at plug connections.

MAINTENANCE AND STORAGE

Input Voltage:	100-240V~ 50/60Hz
Power Consumption	42W
Temperature Settings	11 preset levels
Default Temperature Setting	355°F
Temperature Range	265 - 445°F / 130 - 230°C
Auto Shutoff	60 +/- 2 minutes

3 YEAR LIMITED WARRANTY AND SERVICE VALID IN THE U.S.A. ONLY

SPECTRA MERCHANDISING INTERNATIONAL, INC. warrants this unit to be free from defective materials or factory workmanship for a period of 3 years from the date of original customer purchase and provided the product is utilized within the U.S.A. This warranty is not assignable or transferable. Our obligation under this warranty is the repair or replacement of the defective unit or any part thereof, except batteries, when it is returned to the SPECTRA Service Department, accompanied by proof of the date of original consumer purchase, such as a duplicate copy of a sales receipt.

You must pay all shipping charges required to ship the product to SPECTRA for warranty service. If the product is repaired or replaced under warranty, the return charges will be at SPECTRA's expense. There are no other express warranties other than those stated herein.

This warranty is valid only in accordance with the conditions set forth below:

1. The warranty applies to the SPECTRA product only while:
 - a. It remains in the possession of the original purchaser and proof of purchase is demonstrated.
 - b. It has not been subjected to accident, misuse, abuse, improper service, usage outside the descriptions and warnings covered within the user manual or non-SPECTRA approved modifications.
 - c. Claims are made within the warranty period.
2. This warranty does not cover damage or equipment failure caused by electrical wiring not in compliance with electrical codes or SPECTRA user manual specifications, or failure to provide reasonable care and necessary maintenance as outlined in the user manual.
3. Warranty of all SPECTRA products applies to residential use only and is void when products are used in a nonresidential environment or installed outside the United States.

This warranty gives you specific legal rights, and you may also have other rights which vary from state to state. TO OBTAIN SERVICE please remove all batteries (if any) and pack the unit carefully and send it freight prepaid to SPECTRA at the address shown below. IF THE UNIT IS RETURNED WITHIN THE WARRANTY PERIOD shown above, please include a proof of purchase (dated cash register receipt) so that we may establish your eligibility for warranty service and repair of the unit without cost. Also include a note with a description explaining how the unit is defective. A customer service representative may need to contact you regarding the status of your repair, so please include your name, address, phone number and email address to expedite the process.

IF THE UNIT IS OUTSIDE THE WARRANTY PERIOD, please include a check for \$35.00 to cover the cost of repair, handling and return postage. All out of warranty returns must be sent prepaid.

It is recommended that you contact SPECTRA first at 1-800-777-5331 or by email at custserv@spectraintl.com for updated information on the unit requiring service. In some cases the model you have may be discontinued, and SPECTRA reserves the right to offer alternative options for repair or replacement.

SPECTRA MERCHANDISING INTERNATIONAL, INC.
4230 North Normandy Avenue,
Chicago, IL60634, USA.
1-800-777-5331

To register your product, visit the link below to enter your information.
<http://www.spectraintl.com/wform.htm>



HELLO KITTY[®]
by **Sanrio**[®]

©1976, 2012 SANRIO CO., LTD.
Used Under License.
www.sanrio.com

Printed in China

0912



SIL-34037