

HELLO KITTY®

© 1976, 2012 SANRIO CO., LTD.

PROFESSIONAL HAIR DRYER



USER MANUAL

KT3055BP

⚠ WARNING:

This is an electric appliance – not a toy! To avoid risk of fire, burns, personal injury and electric shock it should not be played with or placed where small children can reach it. Not appropriate for use by children 12 years of age and younger.

IMPORTANT SAFETY INSTRUCTIONS

When using electrical appliances, especially when children are present, basic safety precautions should always be followed, including the following:

**READ ALL INSTRUCTIONS BEFORE USING.
KEEP AWAY FROM WATER.**

⚠ DANGER:

To reduce the risk of electric shock:

1. **Do not** reach for an appliance that has fallen into water. Unplug it immediately.
2. **Do not** use while bathing or in the shower.
3. **Do not** place or drop into water or other liquid.
4. **Do not** place or store this appliance where it can fall or be pulled into a tub or sink.
5. Always unplug this appliance from the electrical outlet immediately after using.
6. Unplug this appliance before cleaning it.



⚠ WARNING:

To reduce the risk of burns, electrocution, fire or injury to persons:

1. This appliance is for household use only.
2. An appliance should never be left unattended when it's plugged in.
3. Close supervision is necessary when this appliance is used by, on, or near children or invalids.
4. Use this appliance only for its intended use as described in this manual. **Do not** use attachments not recommended by the manufacturer.
5. Keep the power cord away from heated surfaces. **Do not** wrap the cord around the appliance.
6. Never operate this appliance if it has a damaged power cord or plug, if it is not working properly, if it has been dropped or damaged, or if it has been dropped into water.
7. Never drop or insert any object into any of the appliance's openings.
8. **Do not** use outdoors or operate where aerosol (spray) products are being used, or where oxygen is being administered.
9. Always store this appliance and cord in a moisture-free area.
10. **Do not** plug or unplug this appliance when your hands are wet.

KEEP AWAY FROM CHILDREN. FOR ADULT USE ONLY.

SAVE THESE INSTRUCTIONS

ALCI SAFETY PLUG

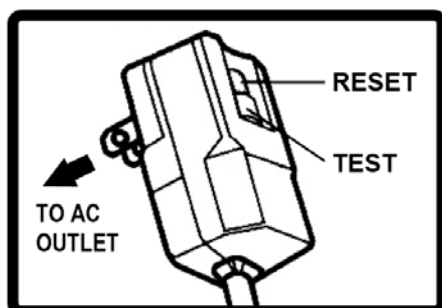
This hair dryer is provided with an Appliance Leakage Circuit Interrupter (ALCI) safety device built into the AC power plug. This device is designed to make the unit inoperable under some abnormal conditions, such as accidental immersion in water. The ALCI safety device is equipped with a test button so that its operation can be checked.

CHECK ALCI EVERY TIME YOU USE YOUR HAIR DRYER

TO CHECK

After plugging the ALCI Safety Plug into an AC outlet,

1. press the RESET (red) button on the ALCI device;
2. press the TEST (yellow) button. The RESET button will pop out. This verifies that the safety device is operating properly;
3. press the RESET button to reactivate your ALCI safety device.
4. Your hair dryer is now ready for use.



⚠ CAUTION

- This hair dryer may automatically trip when unplugged. If so, the ALCI must be reset after it is plugged in. If the dryer doesn't reset after following the above testing procedure, call our customer service hotline at 1-800-777-5331.
- Should the ALCI safety device trip (i.e., the reset button pops out) during use, this could indicate a malfunction in the hair dryer. Remove the plug from the AC outlet and allow dryer to cool. Press the RESET button. Should the hair dryer fail to reset, call our customer service hotline at 1-800-777-5331. Never operate this appliance if it has been dropped in water.
- The ALCI Safety Plug is fitted with polarized prongs (one blade is wider than the other). As a safety feature, this plug will fit in a polarized household outlet only one way. If the plug does not fit fully in the outlet, reverse the plug. If it still does not fit, contact a qualified electrician, **DO NOT** attempt to defeat this safety feature.
- The appliance is designed to work on ordinary household power only, 125V~ 60 Hz.

AUTOMATIC OVERHEAT SHUTOFF

This appliance is also equipped with an automatic overheat shutoff which will cycle off when the unit becomes overheated and resumes normal operation when sufficiently cooled down. If the unit cycles off, unplug the AC Power Cord for 5 minutes or more before restarting.



GROUND FAULT CIRCUIT INTERRUPTERS CAN SAVE A LIFE!

If you must use your hair dryer in the bathroom, install a GFCI* now!

Your local electrician can help you decide which type is best for you – a portable unit that plugs into the electrical outlet or a permanent unit installed by your electrician. The National Electrical Code now requires GFCI's in bathrooms, garages, and outdoor outlets of all new homes.

Why do you need a GFCI?

Electricity and water don't mix. If your hair dryer falls in water while it's plugged in, the electric shock can kill you ... even if the switch is "off."

A regular fuse or circuit breaker won't protect you under these circumstances. A GFCI offers you greater protection.

A GFCI can save your life!

Compared to that, the price is small !

Don't wait... install one now!



*GFCI is a sensitive device that reacts immediately to a small electric current leak by stopping the electricity flow.

WELCOME TO THE WORLD OF HELLO KITTY

We have taken great care to make sure that your product was in perfect working order when it left our factory. It has been designed to give you many years of enjoyment and trouble free operation. Read this manual before operating this unit to become familiar with its features and obtain the performance that will bring you continued satisfaction for many years.

For future reference, record the serial number in the space provided.

Model Number: KT3055BP

Serial Number: _____

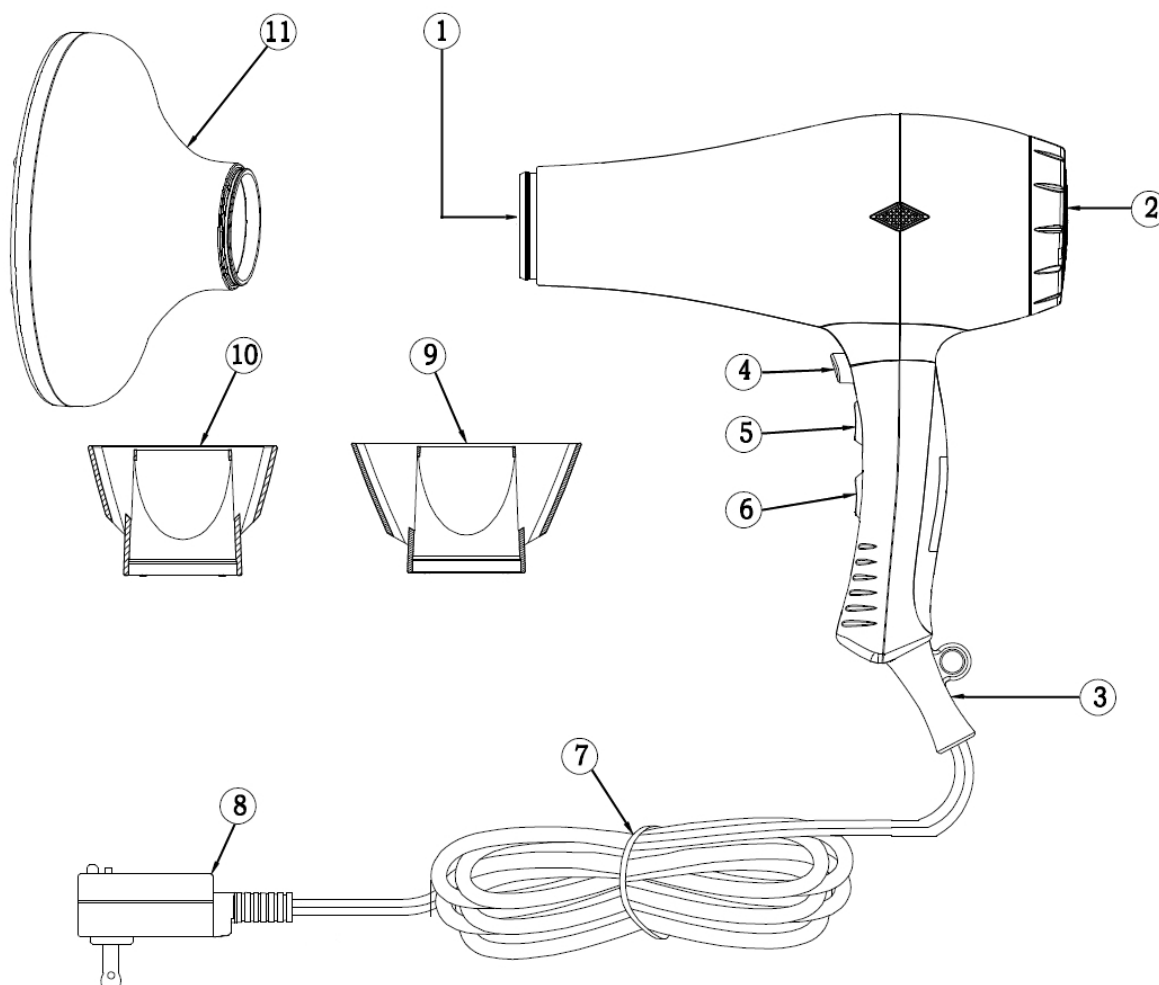
CONTENTS OF THE BOX

Professional Hair Dryer	x 1 pc
Diffuser (145mm)	x 1 pc
Concentrator Nozzle (70mm)	x 1 pc
Concentrator Nozzle (90mm)	x 1 pc
User Manual	x 1 set

PRODUCT FEATURES

- Porcelain ceramic grille to promote smooth and healthy hair. Ceramic emits far-infrared, radiant heat to help dry water molecules inside the hair strand. This fast and efficient process helps prevent heat damage for less frizz and more shine.
- Ionic technology to reduce frizz, smooth hair and lock in moisture. The ions generated by this unit neutralize the static electricity that sometimes occurs during drying. It also increases the efficiency of left-in hair care - hair is smoother, softer and shinier.
- 3 heat and 2 speed settings for added flexibility of drying and styling
- Cool shot for long lasting hold of your hair style
- 2 thin concentrator nozzles (70mm and 90mm) allow for very precise drying and styling
- Durable 9 foot power cord with built-in hanger for flexible operation and convenience.

KNOW YOUR PRODUCT



- | | |
|---------------------------------------|--------------------------------|
| 1. Porcelain Ceramic Grille | 7. AC Power cord (9 feet long) |
| 2. Detachable Lint Filter Cap | 8. ALCI Safety Plug |
| 3. Built-in Hanger | 9. 90mm Concentrator Nozzle |
| 4. Cool Shot (❄️) Button | 10. 70mm Concentrator Nozzle |
| 5. Heat Button (HIGH 🔥 /MID 🔥 /LOW 🔥) | 11. 145mm Diffuser |
| 6. Speed Button (HIGH 🌀 /LOW 🌀 /OFF) | |

OPERATING INSTRUCTIONS

POWER REQUIREMENT



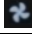
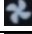



This appliance is intended for household use only. The appliance is designed to work on ordinary household power only, 125V~ 60 Hz.

BASIC DRYING TECHNIQUES

1. Gently towel dry hair to remove excess water. Avoid rubbing hair with towel as this creates split ends and frizzes. Detangle hair with a wide-tooth comb.
2. Insert the ALCI Safety Plug of the unit firmly into an AC power outlet.
3. Turn the unit on and set the unit on HIGH airflow speed and HIGH heat levels.
4. Remove some of the additional moisture from your hair by briskly blowing it and also running your fingers through your hair.
5. When hair is almost dry, lower the heat and speed to the desired settings and begin to style.
6. Divide hair into manageable sections. Begin at the nape of your neck and brush hair, following the movement of the brush with the unit. Continue working your way up to your scalp, then to the sides and the front, drying small sections at a time.

- Once your desired style is achieved, push the Cool Shot Button to set the style with a cool flow of air.

CHOOSING THE RIGHT SETTINGS FOR YOUR HAIR

HAIR TYPE	RECOMMENDED SETTINGS	
	Airflow Speed Level	Heat Level
Short and Curly	Low 	Low {
Short and Sculptured	High 	Low {
Mid-Length and Sculptured	Low 	Mid } }
Mid-Length and Sleek	High 	Mid } }
Mid-Length or Long and Curly	Low 	High } } }
Long and Sculptured	High 	High } } }
Long and Sleek	High 	High } } }

USE THE CONCENTRATOR NOZZLE AND DIFFUSER

❖ The Concentrator Nozzles (70mm and 90mm)

Allow you to direct the airflow precisely. It is particularly recommended for straightening and styling hair. It also helps to use a round brush for blow drying. Begin with the hair underneath by holding the rest up with a clip. Place the unit with a suitable concentrator nozzle at right angles to the brush and unroll the selected section from the roots to the tips.

❖ The Diffuser

Helps to dry hair naturally, without moving it. During drying, shape the hair with your fingers rather than a brush to maintain the natural effect. Use the Diffuser for dry, fine or damaged hair. Low speed is recommended when using the Diffuser.

HAIR STYLING TIPS

❖ Cool Shot ❄

The Cool Shot sets the style by blowing a cool stream of air. Press and hold Cool Shot Button to set style. Release button to return to warm airflow.

❖ For straight, smooth hair

With the unit turned off, attach a suitable concentrator to the end of the nozzle. Brush hair from underneath using a large, round or paddle brush. Pull hair down until the hair is fully extended and taut. Run the unit slowly down the length of the hair several times until it is dry. Repeat with all sections of hair until it is completely dried. Lock in the style with the Cool Shot feature.

❖ For curly hair

Use unit on a low heat and speed setting and move it quickly about your head. As you dry your hair, scrunch it with a styling product or twirl strands of hair around your fingers to add definition. When finished drying, lock in the style with the Cool Shot feature.

HAIR CARE TIPS

- Keep the unit about 8 inches away from your head to avoid burning scalp or damaging hair.
- Always keep the unit pointed down the hair shaft to smooth the cuticle and create a silky, shiny style.
- To help prevent heat damage and add shine, add a heat protection spray to your damp hair before blow drying.
- To create a style with lots of body, apply mousse to towel dried hair. Distribute it evenly from roots to ends, then blow dry as usual.
- For a smooth, professional blow dry look, use a flat straightening iron over dried hair.

- For a quick touch-up between shampoos, dampen hair and then style with the dryer.

MAINTENANCE, CLEANING AND STORAGE

MAINTENANCE

Your appliance is virtually maintenance free. No lubrication is needed. If the cord becomes twisted, untwist prior to use. To guarantee smooth operation and safety, check your unit regularly.

WARNING:

If any malfunction occurs, do not attempt to repair by yourself. This appliance has no user-serviceable parts.

CLEANING INSTRUCTIONS

If cleaning becomes necessary, unplug the appliance from the AC outlet.

1. The Lint Filter Cap should be cleaned regularly, since a dirty or clogged filter will impair the efficiency of the dryer. To clean Lint Filter Cap, make sure dryer is turned off and unplugged. Use a soft bristle brush or damp cloth to remove any foreign particles.
2. To replace the Lint Filter Cap after cleaning, align locking tabs and rotate clockwise to secure.
3. If the unit cabinet is dirty, wipe with a damp cloth to clean.

STORAGE

When not in use, “unplug it.”

- Allow the unit to cool completely and store out of reach of children in a safe, dry location.
- Never wrap the power cord around the appliance since this will cause it to wear prematurely and break.
- Handle power cord carefully for longer life and avoid jerking, bending sharply, twisting, or straining cord, especially at plug connections.

SPECIFICATIONS

Input Voltage	125V~ 60Hz
Power Consumption	1875W
Motor	Low Noise 125V AC Motor

3 YEAR LIMITED WARRANTY AND SERVICE VALID IN THE U.S.A. ONLY

SPECTRA MERCHANDISING INTERNATIONAL, INC. warrants this unit to be free from defective materials or factory workmanship for a period of 3 years from the date of original customer purchase and provided the product is utilized within the U.S.A. This warranty is not assignable or transferable. Our obligation under this warranty is the repair or replacement of the defective unit or any part thereof, except batteries, when it is returned to the SPECTRA Service Department, accompanied by proof of the date of original consumer purchase, such as a duplicate copy of a sales receipt.

You must pay all shipping charges required to ship the product to SPECTRA for warranty service. If the product is repaired or replaced under warranty, the return charges will be at SPECTRA's expense. There are no other express warranties other than those stated herein.

This warranty is valid only in accordance with the conditions set forth below:

1. The warranty applies to the SPECTRA product only while:
 - a. It remains in the possession of the original purchaser and proof of purchase is

- demonstrated.
- b. It has not been subjected to accident, misuse, abuse, improper service, usage outside the descriptions and warnings covered within the user manual or non-SPECTRA approved modifications.
 - c. Claims are made within the warranty period.
2. This warranty does not cover damage or equipment failure caused by electrical wiring not in compliance with electrical codes or SPECTRA user manual specifications, or failure to provide reasonable care and necessary maintenance as outlined in the user manual.
 3. Warranty of all SPECTRA products applies to residential use only and is void when products are used in a nonresidential environment or installed outside the United States.

This warranty gives you specific legal rights, and you may also have other rights which vary from state to state. TO OBTAIN SERVICE please remove all batteries (if any) and pack the unit carefully and send it freight prepaid to SPECTRA at the address shown below. IF THE UNIT IS RETURNED WITHIN THE WARRANTY PERIOD shown above, please include a proof of purchase (dated cash register receipt) so that we may establish your eligibility for warranty service and repair of the unit without cost. Also include a note with a description explaining how the unit is defective. A customer service representative may need to contact you regarding the status of your repair, so please include your name, address, phone number and email address to expedite the process.

IF THE UNIT IS OUTSIDE THE WARRANTY PERIOD, please include a check for \$40.00 to cover the cost of repair, handling and return postage. All out of warranty returns must be sent prepaid.

It is recommended that you contact SPECTRA first at 1-800-777-5331 or by email at custserv@spectraintl.com for updated information on the unit requiring service. In some cases the model you have may be discontinued, and SPECTRA reserves the right to offer alternative options for repair or replacement.

SPECTRA MERCHANDISING INTERNATIONAL, INC.
4230 North Normandy Avenue,
Chicago, IL60634, USA.
1-800-777-5331

To register your product, visit the link below to enter your information.
<http://www.spectraintl.com/wform.htm>



HELLO KITTY[®]
by **Sanrio**[®]

©1976, 2012 SANRIO CO., LTD.
Used Under License.
www.sanrio.com

Printed in China

0912



SIL- 34037