



karaoke NIGHT

CD+G KARAOKE SYSTEM



KN200 USER MANUAL

**PLEASE READ THIS USER MANUAL COMPLETELY BEFORE OPERATING
THIS UNIT AND RETAIN THIS BOOKLET FOR FUTURE REFERENCE.**

For further information on this model and the entire lineup of Karaoke Night products, please visit www.karaokenightusa.com

CAUTION

CLASS 1 LASER PRODUCT

CLASS 1 LASER PRODUCT
APPAREIL LASER DE CLASSE 1
PRODUCTO LASER DE CLASE 1

CAUTION
INVISIBLE LASER RADIATION
WHEN OPEN AND INTERLOCKS
DEFEATED.
AVOID EXPOSURE TO BEAM



This product contains a low power laser device.

Follow the advice below for safe operations.

ON PROTECTION AGAINST LASER ENERGY EXPOSURE

- As the laser beam used in this compact disc player is harmful to the eyes, do not attempt to disassemble the casing.
- Stop operation immediately if any liquid or solid object should fall into the cabinet.
- Do not touch the lens or poke at it. If you do, you may damage the lens and the player may not operate properly.
- Do not put anything in the safety slot. If you do, the laser diode will be ON when the CD door is still open.
- If the unit is not to be used for a long period of time, make sure that all power sources are disconnected from the unit. Remove all batteries from the battery compartment, and unplug the AC adapter from the wall outlet. Make it a practice to remove the AC adapter by grasping the plug and not by pulling the cord.
- This unit employs a laser. The use of controls or adjustment or performance of procedures other than those specified here may result in exposure to hazardous radiation.

ON SAFETY

- Before use, check that the rated voltage of your unit matches your local voltage.
- When you are not going to use the unit for a long period of time, disconnect the AC adapter.

ON CONDENSATION

- When left in a heated room where it is warm and damp, water droplets or condensation may form inside the CD player.
- When there is condensation inside the unit, the unit may not function normally.
- If condensation occurs, let unit stand for 1 to 2 hours before turning the power on, or gradually heat the room up and dry the unit before use.
- Ensure a minimum distance of 2 inches (5 cm) around the apparatus for sufficient ventilation.
- Ensure that the ventilation is not impeded by covering the ventilation openings with items, such as newspapers, table cloths, curtains, etc.
- Do not place naked flame sources, such as lighted candles on the apparatus.
- Take attention to the environmental aspects of battery disposal.
- Use the apparatus only in moderate climates.
- Do not expose the apparatus to dripping or splashing.
- Do not place objects filled with liquids, such as vases, on the apparatus.
- Battery should not be exposed to excessive heat such as sunshine, fire or the like.
- The mains plug of apparatus should not be obstructed and should be easily accessed during intended use.

Should any trouble occur, disconnect the AC Adapter and refer servicing to qualified personnel.

COMPLIANCE WITH FCC REGULATIONS

This device complies with Part 15 of the FCC Rules. Operation is subject to the following two conditions:

- (1) this device may not cause harmful interference, and
- (2) this device must accept any interference received, including interference that may cause undesired operation.

NOTE: This equipment has been tested and found to comply with the limits for a Class B digital device, pursuant to Part 15 of the FCC Rules. These limits are designed to provide reasonable protection against harmful interference in a residential installation. This equipment generates, uses and can radiate radio frequency energy and, if not installed and used in accordance with the instructions, may cause harmful interference to radio communications. However, there is no guarantee that interference will not occur in a particular installation. If this equipment does cause harmful interference to radio or television reception, which can be determined by turning the equipment off and on, the user is encouraged to try to correct the interference by one or more of the following measures:

- Reorient or relocate the receiving antenna.
- Increase the separation between the equipment and receiver.
- Connect the equipment into an outlet on a circuit different from that to which the receiver is connected.
- Consult the dealer or an experienced radio/TV technician for help.

CAUTION: Changes or modifications to this equipment not expressly approved by the party responsible for compliance could void the user's authority to operate the equipment.

DEAR KARAOKE NIGHT CUSTOMER

Selecting fine audio equipment such as the unit you've just purchased is only the start of your musical enjoyment. Now it's time to consider how you can maximize the fun and excitement your equipment offers. This manufacturer and the Electronic Industries Association's Consumer Electronics Group want you to get the most out of your equipment by playing it at a safe level. One that lets the sound come through loud and clear without annoying blaring or distortion and, most importantly, without affecting your sensitive hearing. Sound can be deceiving. Over time your hearing "comfort level" adapts to higher volumes of sound. So what sounds "normal" can actually be loud and harmful to your hearing. Guard against this by setting your equipment at a safe level BEFORE your hearing adapts.

To establish a safe level:

- Start your volume control at a low setting.
- Slowly increase the sound until you can hear it comfortably and clearly, and without distortion.

Once you have established a comfortable sound level:

- Set the dial and leave it there.

Taking a minute to do this now will help to prevent hearing damage or loss in the future. After all, we want you listening for a lifetime.

We Want You Listening For a Lifetime

Used wisely, your new sound equipment will provide a lifetime of fun and enjoyment. Since hearing damage from loud noise is often undetectable until it is too late, this manufacturer and the Electronic Industries Association's Consumer Electronics Group recommend you avoid prolonged exposure to excessive noise.



Customer's Record:

The serial number of this product is found on its bottom. You should note the serial number of this unit in the space provided as a permanent record of your purchase to aid in identification in the event of theft or loss.

Model Number: KN200

Serial Number : _____

CONTENTS OF YOUR PRODUCT

KN200 CD+G Karaoke System	x 1 set
A/V Cable (4 feet)	x 1 pc
Microphone with Cable (10 feet)	x 1 pc
AC Adapter (DC 9V == 1A output)	x 1 pc
User Manual	x 1 pc
CD+G Demo Disc	x 1 pc

PROTECT YOUR FURNITURE!!

This system is equipped with non-skid rubber 'feet' to prevent the product from moving when you operate the controls. These 'feet' are made from non-migrating rubber material specially formulated to avoid leaving any marks or stains on your furniture. However certain types of oil based furniture polishes, wood preservatives, or cleaning sprays may cause the rubber 'feet' to soften, and leave marks or a rubber residue on the furniture. To prevent any damage to your furniture we strongly recommend that you purchase small self-adhesive felt pads, available at hardware stores and home improvement centers everywhere, and apply these pads to the bottom of the rubber 'feet' before you place the product on fine wooden furniture.

INTRODUCTION

This Karaoke System has a compact design and is full of features yet it is easy to use. Just a few simple instructions and you will become an expert.

Before using your unit, please glance through this manual to familiarize yourself with all the features available and the sections of the manual that describe their operations. Next go to the section for the specific operation you wish to perform.

For your easy reference, listed here are some of the main features of this Karaoke System.

Lyrics on External TV screen - display the lyrics with the tempo of music when playing CD+G discs.

Automatic Voice Control - let you replace the original singer's voice with your own voice when any pre-recorded multiplex karaoke disc is played. To activate, just rotate the Mic Volume to a comfortable listening level and Auto Voice Control for the best balance between playback and microphone levels.

Balance Control - let you adjust the balance between the pre-recorded original singer's voice and the music if you use a multiplex karaoke disc.

Echo Control - let you add an echo to enrich your voice for a concert hall effect.

Built-in Speakers - let you share the music with your family or friends.

Audio Out Jacks - let you connect another audio output component, such as an equalizer/booster or a PA system.

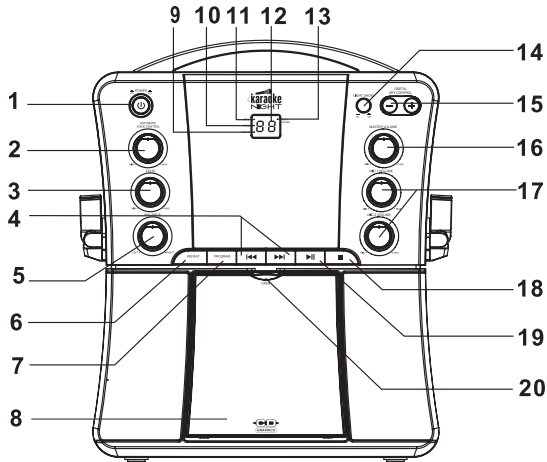
Video Out Jack - let you connect to your external TV for displaying the lyrics.

Digital Key controls - makes it easier to sing at your desired pitch.

Light Show – turn on to add extra excitement and makes your performance complete.

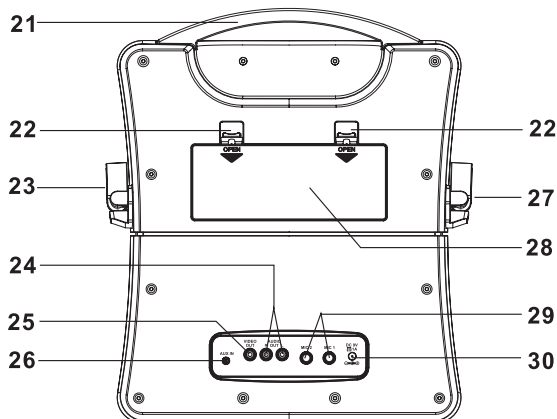
LOCATION OF CONTROLS

FRONT PANEL



- | | |
|--|--|
| <ol style="list-style-type: none"> 1. POWER ON/OFF BUTTON WITH INDICATOR 2. AVC KNOB 3. ECHO KNOB 4. ⏮ / ⏭ SKIP BUTTONS 5. BALANCE KNOB 6. REPEAT BUTTON 7. PROGRAM BUTTON 8. CD DOOR 9. REPEAT INDICATOR 10. PROGRAM (PROG) INDICATOR | <ol style="list-style-type: none"> 11. CD+G INDICATOR 12. LED TRACK DISPLAY 13. PLAY / PAUSE INDICATOR 14. LIGHT SHOW ON/OFF BUTTON 15. DIGITAL KEY CONTROLS 16. MASTER VOLUME CONTROL 17. MIC 1 / MIC 2 VOLUME CONTROLS 18. STOP BUTTON 19. ▶ PLAY / PAUSE BUTTON 20. CD DOOR LATCH |
|--|--|

REAR PANEL



21. CARRYING HANDLE
22. BATTERY DOOR OPENER CLIPS
23. MICROPHONE HOLDER (RIGHT SIDE)
24. AUDIO OUTPUT JACKS (WHITE CODED FOR LEFT, RED CODED FOR RIGHT)
25. VIDEO OUTPUT JACK (YELLOW CODED)
26. AUX-IN JACK (3.5mm)
27. MICROPHONE HOLDER (LEFT SIDE)
28. BATTERY COMPARTMENT COVER
29. MIC 1 / MIC 2 INPUT JACKS
30. DC JACK DC9V

POWER SOURCES

AC OPERATION

Plug the supplied AC adapter into the DC jack (9V DC input) on the rear panel of the unit and connect to a standard AC wall socket. Press the POWER ON/OFF button on the Karaoke system to turn on and the POWER INDICATOR will light.

Note: When the unit is not operated for long periods of time, unplug the AC adapter from the unit and wall outlet.



BATTERY OPERATION

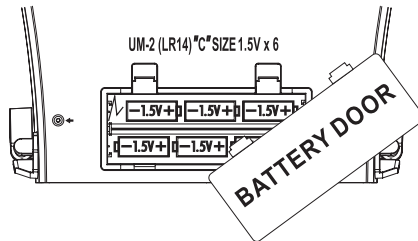
Before installing batteries (not included), please disconnect the unit from the AC adapter.

Note: Whenever the AC adapter plug is inserted into the DC JACK of the unit, the battery power will be automatically disconnected. For battery operation, remove the AC adapter from the wall outlet and unplug from the unit. We recommend the use of good quality alkaline batteries.

To save battery power, we recommend using the AC adapter wherever possible.

REPLACING OLD BATTERIES

1. Remove the BATTERY COMPARTMENT COVER on the back of the unit by carefully pushing the two opener clips down.
2. Remove all the exhausted batteries and install 6 x 1.5V "C" size (UM-2) batteries (not included), following the polarity markings inside the battery compartment.
3. Replace the BATTERY COMPARTMENT COVER.



WARNINGS FOR BATTERIES

- Batteries should not be exposed to excessive heat such as sunshine, fire or the like.
- Be sure that the batteries are installed correctly. Wrong polarity may damage the unit.
- Do not mix old and new batteries.

- Do not mix alkaline, standard (carbon-zinc) or rechargeable (nickel- cadmium) batteries.
- Only batteries of the same or equivalent type as recommended are to be used.
- If the unit is not to be used for an extended period of time, remove all the batteries. Any old or leaking batteries can cause damage to the unit and may void the warranty.
- Do not dispose of batteries in fire, battery may explode or leak.
- Do not try to recharge a battery that is not intended to be recharged. The battery can overheat, rupture and leak (Follow the battery manufacturer's directions).

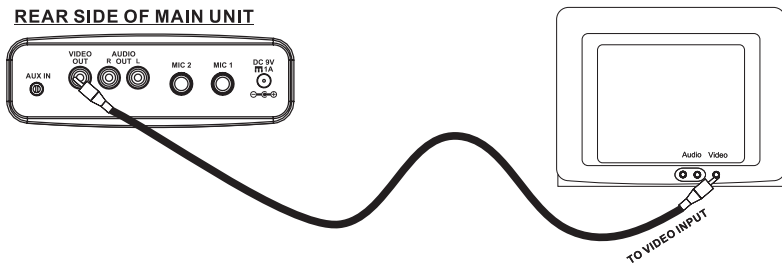
CONNECTING TO AN EXTERNAL TV/MONITOR

The karaoke system provides a patch cord to give you the option of connecting your unit to an external audio/video device. The patch cord has three RCA plugs at each end. White and Red are for left and right audio connections and the Yellow is for video. Modern flat panel digital TV sets and home music systems are usually equipped with corresponding color-coded RCA jacks to assist correct connections. Make sure that you have a CD+G disc in the karaoke system playing when you are making this connection. You will know you have the proper settings on your TV as soon as you see the lyrics on the screen.

Video connection

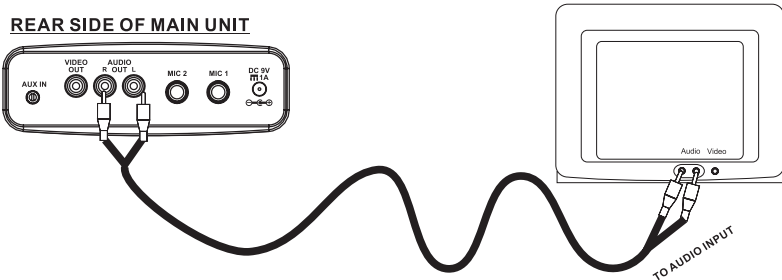
Please follow these steps to display CD+G lyrics on an external TV screen:

1. Locate the color-coded patch cords.
2. Connect video cable (Yellow) to the VIDEO OUT on the back of the karaoke system.
3. Connect the other end of the video cable (Yellow) to the VIDEO / A/V INPUT on your TV.
4. Turn on both units and start playing CD+G disc.



CONNECTING AUDIO TO TV OR HOME STEREO

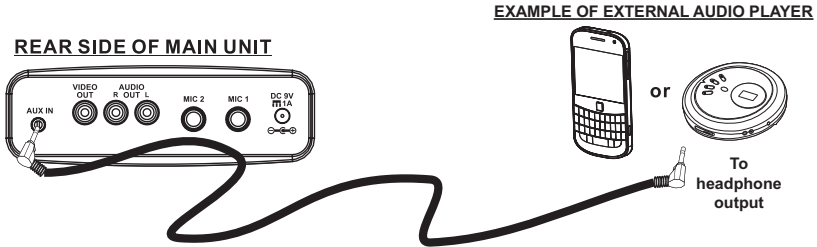
Connect the unit to your TV or home stereo system using the White and Red connections on the supplied patch cord. Plug the white end of the patch cord into the white AUDIO OUT jack on the unit. Plug the red end of the patch cord into the red AUDIO OUT jack on the unit. Now connect the other end of the cable's white (left channel) and red (right channel) plugs to your TV or home stereo system's 'AUDIO INPUT', 'LINE IN' or 'AUX IN' jacks. After connecting, you should be able to play music from a CD/CD-R/CD-RW/CD+G disc through the connected TV or home stereo system.



USING AUX IN FUNCTION

This feature allows you to listen to an external audio source through the speakers of this unit.

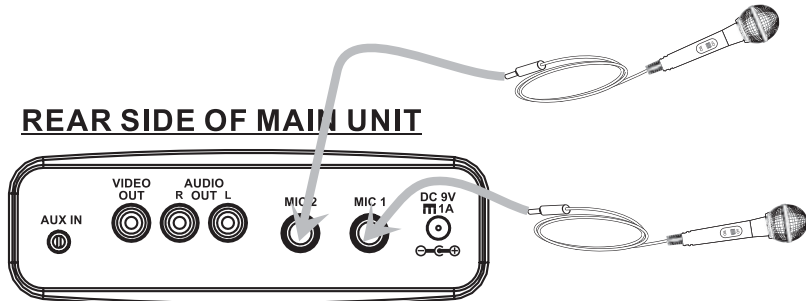
1. Plug a 3.5mm audio cable (not included) into the headphone jack of your external audio player (not included) and connect the other end (3.5mm plug) into the AUX IN jack on the rear side of this unit.
2. Make sure both units are turned on.
3. Play a song on your MP3 or MP4 player.
4. Adjust the volume control of your audio player and then the MASTER VOLUME CONTROL of the unit to obtain the desired audio sound level.
5. Turn off both the external audio player and this unit after use.



CONNECTING THE MICROPHONE

WARNING - Tapping or dropping the microphone while it is on can permanently damage your microphone. Do not swing the microphone around by the cord.

Note: To prevent feedback or whistling from occurring, please be sure that the microphone is not too close to unit's speakers.



1. Connect the supplied Microphone to either one of the MIC input jacks.
2. Press the POWER ON/OFF button to turn on the Karaoke system, the POWER INDICATOR will light.
3. Slide the ON/OFF switch located on the Microphone to the ON position and speak or sing into the Microphone. The Microphone sensitivity and loudness can be adjusted by turning the corresponding MIC VOLUME control and/or MASTER VOLUME control.
4. Turn off the unit after use by pressing the POWER ON/OFF button again. The POWER INDICATOR will go off.

INSTALLING AND REMOVING A DISC

Make sure nothing is connected to the AUX IN JACK and press the POWER ON/OFF button to power up the unit. Pull on the CD DOOR LATCH to open. Hold the CD by the edges with label side facing front and mount it vertically into the CD compartment. Press the CD DOOR to close.

Notes:

- Do not press or open the CD DOOR while it is playing.
- Do not apply excessive force to the CD DOOR.
- Never place anything except a compact disc in the CD compartment. Foreign objects can damage the unit.
- Mount only one disc into the CD compartment at a time.

CD / CD+G OPERATION

ABOUT CD-R/CD-RW DISCS

This unit is CD-R/CD-RW compatible but playback capability may vary depending on the quality of the disc, the recording device and application software.

Note: This unit is designed to play CDs bearing these identification logos.

If CDs do not conform to the CD or CD+G standard, they may not play properly.

**LOADING A DISC**

Note: You must turn on the external TV (not included) that is properly connected to this unit before playing a CD+G disc in order to view the graphics and lyrics.

1. Power on the unit by pressing the POWER button until it locks.
2. Grip the "OPEN" mark on the CD Door and pull gently to open it.
3. Load a disc into the compartment with the printed side facing you.
4. Gently close the CD DOOR. The karaoke system begins to read the disc. The LED TRACK DISPLAY will show the total number of tracks.
5. Press ►► PLAY/PAUSE button to play disc. (If no disc is recognized, "no" will be displayed).

PLAY/PAUSE MODE

1. To start playing, press the ►► PLAY/PAUSE button once, the first track "1" will be displayed and the PLAY/PAUSE INDICATOR will light.
2. To temporarily stop playing, press the ►► PLAY/PAUSE button, the PLAY/PAUSE INDICATOR will flash.
3. To resume play, press ►► PLAY/PAUSE button again.
4. Use the MASTER VOLUME knob to increase or decrease the speaker sound.

Notes:

- If a CD+G disc is detected, the CD+G indicator will also turn on.
- To see the CD+G lyrics, connect the provide A/V cable an external TV/monitor (not included).

STOP MODE

If the STOP button is pressed in the course of playing, the disc will cease to play. The total number of tracks will be shown on the LED TRACK DISPLAY.

SKIP/SERACH (For both CD and CD+G discs)

1. In stop mode, you can skip up or down to a specific track number by pressing the ◀◀/▶▶ SKIP buttons.
2. While the selected track is flashing, press the ►► PLAY/PAUSE button.
3. During the PLAY mode, you can skip down or up to a specific track number by pressing the ◀◀/▶▶ SKIP buttons respectively.
4. **[For CD only]** When music is playing, hold the ◀◀/▶▶ SKIP buttons to fast-forward or fast-rewind search through the current track.

CD OR CD+G REPEAT OPERATION

1. To repeat the current track, press the REPEAT button once. The REPEAT INDICATOR will flash. The track will continue to play until the repeat function is turned off.
2. To repeat all the tracks, press the REPEAT button twice. The REPEAT INDICATOR will light up steadily. All the tracks on the disc will be played repeatedly.
3. To clear the repeat function, press the REPEAT button again. The REPEAT INDICATOR will turn off.

CD OR CD+G PROGRAM OPERATION

Use this button to program and play back songs in a pre-selected order.

Note: Programming can be done in the stop mode only.

1. Press the PROGRAM button. The PROGRAM (PROG) INDICATOR will light up.
2. Press the ◀◀/▶▶ SKIP buttons forward or back to select a desired track number.
3. Press PROGRAM button to confirm entry.
4. You can repeat the steps 2 & 3 up to a maximum of 20 tracks.
5. Press ▶▶ PLAY/PAUSE button when you have completed programming to start playing. You are now ready to start singing along.
6. Press STOP button twice or open the CD COMPARTMENT COVER to clear all the programmed entries.

USING MICROPHONES/ECHO/BALANCE/AVC/DIGITAL KEY CONTROL

- **MICROPHONE** : When either one or two Microphones are plugged into the MIC 1 jack / MIC 2 jack, their output is mixed with the playback from CD/CD+G discs.
- **MIC VOLUME**: Adjust corresponding MIC VOLUME knob for best balance between playback and microphone (singing) levels.
- **ECHO** : Adjust ECHO to add depth and richness to vocals.
- **BALANCE** : Adjust BALANCE for balance between the pre-recorded singer's voice and the music if you are using a multiplex karaoke disc.
- **AVC** : Press the AVC (Automatic Voice Control) button to ON if you want the original singer's voice to stop while you are singing. The original singer's voice will resume immediately when you pause your singing.
- **DIGITAL KEY CONTROL**: Adjust accordingly to be able to sing at your desired pitch.

RESETTING THE UNIT

If the system does not respond or exhibits erratic or intermittent operation, you may have experienced an electrostatic discharge (ESD) or a power surge that triggered the internal microcontroller to shut down automatically. If this occurs, simply disconnect the AC adapter and remove all the batteries. Wait for at least 3 minutes and then setup the unit again as if you were using it for the very first time.

CARE AND MAINTENANCE

1. Clean your unit with a damp (never wet) cloth. Solvent or detergent should never be used.
2. Avoid leaving your unit in direct sunlight or in hot, humid or dusty places.
3. Keep your unit away from heating appliances and sources of electrical noise such as fluorescent lamps or motors.
4. If drop-outs or interruptions occur in the music during CD play, or if the CD fails to play at all, its bottom surface may require cleaning. Before playing, wipe the disc from the center outwards with a good soft cleaning cloth



TROUBLESHOOTING GUIDE

If you experience difficulties in the use of this music system please check the following or call 1-800-777- 5331 for Customer Service.

PROBLEM	POSSIBLE CAUSE	SOLUTION
No power when plugged in	AC adapter is not plugged into the AC outlet.	Insert the AC adapter into the AC outlet.
	The AC outlet may not have power.	Check the outlet with a working lamp or other electrical appliance.
No sound	Master volume control is set to	Turn up the master volume.

	minimum.	
	Volume control on TV set/PA system is set to minimum.	Turn up the volume of the TV/PA system.
	TV set/PA system power is OFF.	Turn on the power at TV/PA system.
CD PLAYER does not work normally or the LED displays " - - " or "no "	Disc inserted upside down.	Insert disc correctly.
	Cable plugged into AUX IN jack.	Remove AUX IN cable
	Disc is dirty.	Wipe it clean with soft cloth.
	Disc is scratched or warped	Use a new disc.
	A non-standard disc is inserted.	Only use discs bearing identification logos.
	Lens is dirty.	Clean the optical pickup with a CD lens cleaner.
	Moisture has formed inside the CD deck.	Wait about 20 to 30 minutes to let it dry out.
	Karaoke system needs to be reset.	Disconnect the machine from power source for about 5 minutes.
No sound through TV home stereo	Source selection on your TV home stereo is not set properly.	Select AUX IN as the source for your TV home stereo.
	Improper connection to stereo system or PA.	Follow directions on 'Audio Connection' page for connecting to a home stereo system.
	Video cable is not connected properly to the TV.	Connect the video cable to the VIDEO OUT of the unit and to the TV VIDEO IN jacks.
No song lyrics appear on the TV screen	"Source" selector on TV is not set to VIDEO or A/V IN	Use your TV Remote to select VIDEO or A/V input.
	TV does not have video line input.	Connect from VIDEO OUT of the unit to a RF modulator and then to the TV cable input.
	A CD+G disc is loaded but the CD+G indicator is not lit.	Check the disc to be sure it is a CD+G. Check disc to ensure it is clean.
Cannot sing through the mic.	Improper mic volume control.	Adjust MIC and MASTER volume level controls to appropriate levels.
	Mic is off.	Turn on mic with the ON/OFF switch located on the microphone.
	Mic is not properly plugged in.	Insert the mic plug into either MIC 1 or MIC 2 jack of the unit properly.

SPECIFICATIONS

Audio Output Power	: 1.5 W + 1.5 W (RMS)
Speakers	: 2 x 2.5-inch / 4 ohms
Aux In Jack	: 1 x 3.5 mm
Microphone Inputs	: 2 x 600 ohms Impedance with 6.3 mm jack
Microphone	: 1 x Dynamic Microphone

