



**PORTABLE CD SYSTEM WITH CASSETTE
AND FM STEREO RADIO**



**USER MANUAL
CD-725**

**PLEASE READ THIS USER MANUAL COMPLETELY BEFORE OPERATING THIS
UNIT AND RETAIN THIS BOOKLET FOR FUTURE REFERENCE.**

DEAR JENSEN® CUSTOMER

Selecting fine audio equipment such as the unit you've just purchased is only the start of your musical enjoyment. Now it's time to consider how you can maximize the fun and excitement your equipment offers. This manufacturer and the Electronic Industries Association's Consumer Electronics Group want you to get the most out of your equipment by playing it at a safe level. One that lets the sound come through loud and clear without annoying blaring or distortion and, most importantly, without affecting your sensitive hearing.

Sound can be deceiving. Over time your hearing "comfort level" adapts to higher volumes of sound. So what sounds "normal" can actually be loud and harmful to your hearing. Guard against this by setting your equipment at a safe level BEFORE your hearing adapts.

To establish a safe level:

- Start your volume control at a low setting.
- Slowly increase the sound until you can hear it comfortably and clearly, and without distortion.

Once you have established a comfortable sound level:

- Set the dial and leave it there.

Taking a minute to do this now will help to prevent hearing damage or loss in the future. After all, we want you listening for a lifetime.

We Want You Listening For a Lifetime

Used wisely, your new sound equipment will provide a lifetime of fun and enjoyment. Since hearing damage from loud noise is often undetectable until it is too late, this manufacturer and the Electronic Industries Association's Consumer Electronics Group recommend you avoid prolonged exposure to excessive noise.

Customer's Record:



The serial number of this product is found on its back cover. You should note the serial number of this unit in the space provided as a permanent record of your purchase to aid in identification in the event of theft or loss.

Model Number: CD-725

Serial Number: _____

WARNING

TO PREVENT FIRE OR SHOCK HAZARD, DO NOT USE THIS PLUG WITH AN EXTENSION CORD, RECEPTACLE OR OTHER OUTLET UNLESS THE BLADES CAN BE FULLY INSERTED TO PREVENT BLADE EXPOSURE. TO PREVENT FIRE OR SHOCK HAZARD, DO NOT EXPOSE THIS APPLIANCE TO RAIN OR MOISTURE.

	CAUTION RISK OF ELECTRIC SHOCK DO NOT OPEN	
<p>This lightning flash with arrowhead symbol, within an equilateral triangle, is intended to alert the user to the presence of insulated dangerous voltage within the products enclosure that may be of sufficient magnitude to constitute a risk of electric shock presents.</p>	<p>Warning: to reduce the risk of electric shock, do not remove cover (or back) no user - serviceable part inside. Refer servicing to qualified service personnel.</p>	<p>The exclamation point within an equilateral triangle is intended to alert the user to the presence of important operating and maintenance (servicing) instructions in the literature accompanying the appliance.</p>

IMPORTANT SAFETY INSTRUCTIONS

1. Read these instructions - All the safety and operating instructions should be read before the appliance is operated
2. Keep these instructions - The safety and operating instructions should be kept for future reference.
3. Heed all warnings - All warnings on the appliance and in the operating instructions should be adhered to.
4. Follow all instructions - All operation and use instructions should be followed.
5. Do not use this apparatus near water - The appliance should not be used near water; for example, near a bathtub, washbowl, kitchen sink, laundry tub, in a wet basement, or near a swimming pool, and the like.
6. Clean only with dry cloth - The appliance should be cleaned only as recommended by the manufacturer.
7. Do not block any ventilation openings. Install in accordance with the manufacturer's instructions. - The appliance should be situated so that its location or position does not interfere with its proper ventilation. For example, the appliance should not be situated on a bed, sofa, rug, or similar surface that may block the ventilation openings; or placed in a built-in installation, such as a bookcase or cabinet that may impede the flow of air through the ventilation openings.
8. Do not install near any heat sources such as radiators, heat registers, stoves or other apparatus (including amplifiers) that produce heat.
9. Do not defeat the safety purpose of the polarized or grounding-type plug. A polarized plug has two blades with one wider than the other. A grounding type has two blades and a third grounding prong. The wide blade or the third prong are provided for your safety. If the provided plug does not fit into your outlet, consult an electrician for replacement of the obsolete outlet.
10. Protect the power cord from being walked on or pinched particularly at plugs, convenience receptacles, and the point where they exit from the apparatus.
11. Only use attachments / accessories specified by the manufacturer
12. Use only with the cart, stand, tripod, bracket, or table specified by the manufacturer, or sold with the apparatus. When a cart is used, use caution when moving the cart/apparatus combination to avoid injury from tip-over.



13. Unplug this apparatus during lightning storms or when unused for a long periods of time.
14. Power Sources - The appliance should be connected to a power supply only of the type described in the operating instructions or as marked on the appliance. Do not overload wall outlet.
15. Wall and Ceiling Mounting - The appliance should be mounted to a wall or ceiling only as recommended by the manufacturer.
16. Power Lines - An outdoor antenna should be located away from power lines.
17. Object and Liquid Entry - Care should be taken so that objects do not fall and liquids are not spilled into the enclosure through openings.
18. Refer all servicing to qualified service personnel. Servicing is required when the apparatus has been damaged in any way, such as power-supply cord or plug is damaged, liquid has been spilled or objects have fallen into the apparatus, the apparatus has been exposed to rain or moisture, does not operate normally, or has been dropped.
19. Servicing - The user should not attempt to service the appliance beyond that described in the operating instructions. All other servicing should be referred to qualified service personnel.
20. The MAINS plug or an appliance coupler is used as the disconnect device, the disconnect device shall remain readily operable.
21. Battery pack or battery installed should not be exposed to excessive heat such as sunshine, fire or the like.
22. Caution marking and nameplate are located on back of product.

 This equipment is a Class II or double insulated electrical appliance. It has been designed in such a way that it does not require a safety connection to electrical earth.

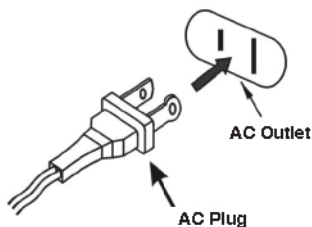
Caution

Danger of explosion if battery is incorrectly replaced. Replace only with the same or equivalent type.

The apparatus shall not be exposed to dripping or splashing and that no objects filled with liquids, such as vases, shall be placed on apparatus.

CAUTION

TO PREVENT ELECTRIC SHOCK, MATCH WIDE BLADE OF PLUG TO WIDE SLOT. FULLY INSERT THE PLUG TO MAIN POWER SOCKET.



SAVE THESE INSTRUCTIONS

CAUTION

CLASS 1 LASER PRODUCT

CLASS 1 LASER PRODUCT
APPAREIL LASER DE CLASSE 1
PRODUCTO LASER DE CLASE 1

CAUTION
INVISIBLE LASER RADIATION
WHEN OPEN AND INTERLOCKS
DEFEATED
AVOID EXPOSURE TO BEAM



This product contains a low power laser device.

Note: This product complies with DHHS Rule 21 Subchapter J at date of manufacture.

Follow the advice below for safe and appropriate operation.

ON PROTECTION AGAINST LASER ENERGY EXPOSURE

- As the laser beam used in this compact disc player is harmful to the eyes, do not attempt to disassemble the casing.
- Stop operation immediately if any liquid or solid object should fall into the cabinet.
- Do not touch the lens or poke at it. If you do, you may damage the lens and the player may not operate properly.
- Do not put anything in the safety slot. If you do, the laser diode will be ON when the CD door is still open.
- This unit employs a laser. The use of controls or adjustment or performance of procedures other than those specified here may result in exposure to hazardous radiation.

ON SAFETY

- When connecting and disconnecting the AC power, grip the AC cord plastic plug and not the cord itself. Pulling the cord may damage it and create hazard.
- When you are not going to use the unit for a long period of time, disconnect the AC power cord from the wall outlet and remove all batteries.

ON AC VOLTAGE

- Before use, check that the rated voltage of your unit matches your local voltage.

ON PLACEMENT

- Do not use the unit in places which are extremely hot, cold, dusty or humid.
- Place the unit on a flat and even surface.
- Do not restrict the air-flow of the unit by placing it in a place with poor ventilation, by covering it with a cloth or by placing it on a carpet.

ON CONDENSATION

- When left in a heated room where it is warm and damp, water droplets or condensation may form inside the unit.
- When there is condensation inside the unit, the unit may not function normally. Let it stand for 1 to 2 hours before turning the power on, or gradually heat the room up and dry the unit before use.

Should any trouble occur, remove the power source and refer servicing to qualified personnel.

PRECAUTION FORE USE

- **UNPACK ALL PARTS AND REMOVE PROTECTIVE MATERIAL.**
- **DO NOT CONNECT THE UNIT TO THE MAINS BEFORE CHECKING THE MAINS VOLTAGE AND ALL OTHER CONNECTIONS HAVE BEEN MADE.**
- **DO NOT COVER ANY VENTS AND MAKE SURE THAT THERE IS A SPACE OF SEVERAL CENTIMETERS AROUND THE UNIT FOR VENTILATION.**

IMPORTANT NOTES

Avoid installing the unit in locations described below:

- Places exposed to direct sunlight or close to heat radiating appliances such as electric heaters.
- Places subject to constant vibration.
- Dusty, humid or moist places.

PROTECT YOUR FURNITURE!!

This model is equipped with non-skid rubber 'feet' to prevent the product from moving when you operate the controls. These 'feet' are made from non-migrating rubber material specially formulated to avoid leaving any marks or stains on your furniture. However certain types of oil based furniture polishes, wood preservatives, or cleaning sprays may cause the rubber 'feet' to soften, and leave marks or a rubber residue on the furniture. To prevent any damage to your furniture we strongly recommend that you purchase small self-adhesive felt pads, available at hardware stores and home improvement centers everywhere, and apply these pads to the bottom of the rubber 'feet' before you place the product on fine wooden furniture.

COMPLIANCE WITH FCC REGULATIONS

This device complies with Part 15 of the FCC Rules. Operation is subject to the following two conditions:

- (1) this device may not cause harmful interference, and
- (2) this device must accept any interference received, including interference that may cause undesired operation.

NOTE : This equipment has been tested and found to comply with the limits for a Class B digital device, pursuant to Part 15 of the FCC Rules. These limits are designed to provide reasonable protection against harmful interference in a residential installation. This equipment generates, uses and can radiate radio frequency energy and, if not installed and used in accordance with the instructions, may cause harmful interference to radio communications. However, there is no guarantee that interference will not occur in a particular installation. If this equipment does cause harmful interference to radio or television reception, which can be determined by turning the equipment off and on, the user is encouraged to try to correct the interference by one or more of the following measures:

- Reorient or relocate the receiving antenna.
- Increase the separation between the equipment and receiver.
- Connect the equipment into an outlet on a circuit different from that to which the receiver is connected.
- Consult the dealer or an experienced radio/TV technician for help.

CAUTION: Changes or modifications not expressly approved by the party responsible for compliance could void the user's authority to operate the equipment.

GETTING START

SPEAKER CONNECTION

NOTE:

Make sure that the power is switch off when connect or disconnect the speakers. Make sure that the speakers are plugged into the correct jacks.

USING THE CD-725 AS A DESKTOP PLAYER

1. Place one speaker on the left side of the main unit and plug the speaker wire from the Left Speaker into the speaker connector "L" located on the rear panel of the main unit.
2. Place the other speaker on the right side of the main unit plug the speaker wire from the Right Speaker into the speaker connector "R" located on the rear panel of the main unit.

USING THE CD-725 AS A PORTABLE PLAYER

1. Place the Left speaker onto the tracks located on the left hand side of main unit. Slide the speaker along the main unit, from front to back, until a "click" sound is heard indicating that the speaker is locked into position.
2. Place the Right speaker onto the tracks located on the right hand side of main unit. Slide the speaker along the main unit, from front to back, until a "click" sound is heard indicating that the speaker is locked into position.
3. Plug the left speaker cable into the "L" speaker jack and the right speaker cable into the "R" speaker jack.
4. To detach the speaker, push down the speaker lock, hold the speaker box and pulling it toward to detach it.

NOTE: Make sure that the speakers are plugged into the correct jacks.

POWER SOURCE

This unit operates using standard 120V~ 60Hz AC household power or 8 "D" size (UM-1) batteries (Not included).

A. AC POWER CONNECTION

1. Plug the AC power cord into a standard 120V~ 60Hz AC wall outlet, Standby mode LED lights.

NOTE: If you were operating the unit on battery power (AC cord disconnected), you must place the unit in Standby mode (Standby LED on) before plugging in the AC power cord. If not, you may experience an interruption in power while plugging in the cord.

2. Tap the Power ϕ ON/STANDBY button to turn on the unit, Standby LED goes off and the display will show the current operation mode.
3. Tap the FUNCTION button to change the operation mode.
4. Press and hold the Power ϕ ON/STANDBY button to switch the unit into "STANDBY" mode after you finish listening (Standby LED on).
5. When the unit is operated from AC power source, the internal battery source will automatically be disconnected.

B. BATTERY OPERATION

NOTE: For best performance and longer operating time, we recommend the use of alkaline-type batteries.

1. Remove the Battery Door on the back of the unit.
2. Follow the marked polarities and install 8 X "D" size (UM-1) batteries.
3. Replace the Battery Door.

NOTE: The FM presets will be lost if the installed batteries drain after a period of time. If this occurs, you will need to reset the FM presets.

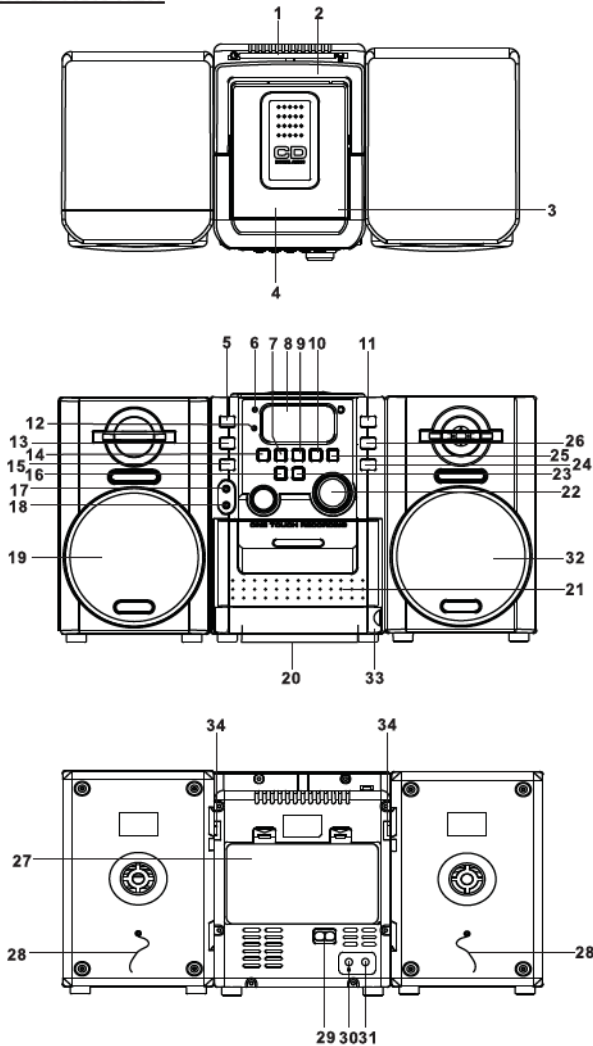
IMPORTANT: Be sure that the batteries are installed correctly. Wrong polarity may damage the unit.

BATTERY CARE

- Batteries shall not be exposed to excessive heat such as sunshine, fire or the like.
- Be sure that the batteries are installed correctly. Wrong polarity may damage the unit.
- Do not mix old and new batteries.
- Do not mix alkaline, standard (carbon-zinc) or rechargeable (nickel-cadmium) batteries.
- Only batteries of the same or equivalent type as recommend are to be used.
- If the unit is not to be used for an extended period of time, remove all batteries. Old or leaking battery can cause damage to the unit and may void the warranty.
- Do not dispose batteries in fire. Batteries may leak or explode.
- Danger of explosion if battery is incorrectly replaced.

LOCATION OF CONTROLS AND INDICATORS

FRONT VIEW & BACK VIEW



- 1) FM TELESCOPIC ANTENNA
- 2) FOLDABLE HANDLE
- 3) CD DOOR OPEN/CLOSE SWITCH
- 4) CD COMPARTMENT
- 5) POWER ϕ ON/STANDBY BUTTON
- 6) STANDBY MODE LED INDICATOR
- 7) CD PLAY/PAUSE $\blacktriangleright\parallel$ BUTTON
- 8) LCD DISPLAY
- 9) CD STOP \blacksquare BUTTON
- 10) SKIP / SEARCH / TUNE- $\blacktriangleleft\blacktriangleleft$ BUTTON
- 11) MEMORY+ BUTTON
- 12) FM STEREO INDICATOR
- 13) FUNCTION BUTTON
- 14) CD PROGRAM BUTTON
- 15) MEMORY BUTTON
- 16) REPEAT BUTTON
- 17) AUX IN JACK
- 18) HEADPHONE JACK
- 19) LEFT SPEAKER
- 20) DECK CONTROL KEY
 - RECORD KEY
 - \blacktriangleright PLAYBACK KEY
 - $\blacktriangleleft\blacktriangleleft$ REWIND KEY
 - $\blacktriangleright\blacktriangleright$ FAST FORWARD KEY
 - $\blacksquare\blacktriangle$ STOP/EJECT KEY
 - \parallel PAUSE KEY
- 21) CASSETTE COMPARTMENT
- 22) VOLUME CONTROL KNOB
- 23) CD RANDOM BUTTON
- 24) BASS BOOST BUTTON
- 25) SKIP / SEARCH / TUNE+ $\blacktriangleright\blacktriangleright$ BUTTON
- 26) MEMORY- BUTTON
- 27) BATTERY DOOR
- 28) SPEAKER BOX CABLE
- 29) AC SOCKET
- 30) RIGHT SPEAKER CONNECTOR
- 31) LEFT SPEAKER CONNECTOR
- 32) RIGHT SPEAKER
- 33) CASSETTE BUTTON COVER
- 34) SPEAKER LOCK

OPERATING INSTRUCTIONS

LISTENING TO RADIO

Manual Tuning

1. Press the STANDBY \odot button to turn on the unit.
2. Press the FUNCTION button to select FM radio mode, "FM" icon and tuning frequency appears in display.
3. Tune to the required radio station by tap the TUNE+ or TUNE- button on main unit repeatedly.
4. Adjust volume control to the desired volume level.

Auto Tuning

1. Press and hold the TUNE+ or TUNE- button for 1-2 seconds until frequency readout on the display begins to scan and then release the button. The tuner will stop scanning when it receives the next broadcasting station of adequate signal strength.
2. Adjust volume control to the desired volume level.

Hints for Best Reception:

To insure maximum FM tuner reception, the telescopic FM antenna should be fully extended and rotated to obtain the best possible station reception.

NOTE: Automatic tuning depends on the signal strength of the broadcasting station, so weak stations may be skipped. You can manually tune to find the weak stations if a station gets skipped. With strong signals, the tuner may stop before it reaches the actual broadcast frequency, so you may need to manually tune for the best reception

FM & FM-Stereo reception

- The "FM ST." indicator will light to show an FM stereo broadcast is being received.

Preset Radio Stations

You can store up to total of 20 FM radio stations in the memory.

1. Set to FM mode
2. Turn to the desired radio station by "MANUAL" or "AUTO" tuning method.
3. Press the MEMORY button to enable program mode, "P01" appears in display and flashing.
4. Press MEM+ or MEM- button repeatedly to select the desired station memory for storage.
5. Press the MEMORY button again to confirm the setting.
6. Repeat step 2 to 5 to store other stations if necessary.

NOTE:

1. In AC power mode, the pre-set memories might be cancelled completely if the main power is unplugged. We recommend placing the system into standby mode for convenience and also to avoid having to reset the FM stations again.
2. There is a 5 second delay after programming, and after 5 seconds, the radio will return to normal tuner mode automatically.
3. You can overwrite a present station by storing another frequency in its place.

Recalling the Preset Stations

1. In FM radio mode, tap the "MEM+" or "MEM-" button to select the preset stations in order.

PLAYING COMPACT DISC

NOTE: This player will not only play commercial CDs, but also self-complied CD-R/RW discs.

Do not attempt to play CD-ROM, CDI, VCD, DVD or computer CDs.

Notes on CD-R/RW Discs

- Because of non-standardized format definition/production of CD-R/RW CD, playback quality & performance are not guaranteed.
- Manufacturer is not responsible for the playability of CD-R/RW CD due to recording conditions such as PC performance, writing software, media ability, etc.
- Do not attach a label or seal to either side of the CD-R/RW disc. It may cause a malfunction.

LOADING THE DISC

1. Turn on the unit and press the FUNCTION button to select CD mode, "CD" icon appears in display and start to read.
2. Press the CD door OPEN/CLOSE switch to open the CD door, "OP" shows in display.
3. Place a CD with the printed side facing up inside the tray.
4. Press the CD door to close it.
5. CD search will be performed; the display will show the total number of tracks. If no CD installed or installed CD is not recognized, display will show "No".

NOTE: CD searching will be performed every time when you switch to CD mode or if you close the CD door. All CD functions will start responding when the CD searching is completed.

● CD PLAY / PAUSE MODE ►||

1. Press the PLAY/PAUSE ►|| button to start playback. The first track of the first disc will be played and the play indicator "►" will appear on the LCD display.
2. To interrupt, press the "PLAY/PAUSE" button once, and the play indicator "►" will start flashing. Press again to resume playback.

● STOP MODE ■

1. If the STOP ■ button is pressed during PLAY or PAUSE, the system will go into stop mode and total tracks will appear in display.

● SKIP MODE (SKIP UP ►|/SKIP DOWN |◄◄)

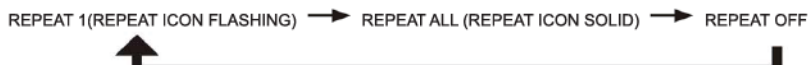
1. During PLAY or PAUSE mode, tap the ►| button, the player will go to next track and display the track no. and then remain the PLAY or PAUSE mode.
2. During PLAY or PAUSE mode, tap the |◄◄ button, the player will go back to the beginning of the track.
3. After step 2, tap the |◄◄ button again will go to the previous track.

● SEARCH MODE

1. During PLAY mode, press and hold the ►| button for few seconds, it will start searching forward.
2. During play mode, press and hold the |◄◄ button for few seconds, it will start searching backwards.

● REPEAT PLAY

This function allows you to repeat 1 single track or all tracks in the disc:
Press the "REPEAT" button repeatedly to switch the function:



NOTE: Repeat function is possible in normal or programmed playback.

● RANDOM PLAY

You can listen to all the tracks of the disc in a random order by using this function

1. Press the "RANDOM" button once, "RANDOM" icon appears in the display, and CD player randomly pick up one track and start to play.
2. All tracks of the disc will be played in random order.
3. Press "RANDOM" button again to cancel random mode. The "RANDOM" icon in the display will go off.

CD PROGRAMMING

Up to 20 tracks can be programmed to be played in any required order from the CD.

1. Set in CD mode and press the STOP ■ button.
2. Press the PROGRAM button to enable CD programming mode, program icon "PROG" and memory location number "01" appear in display and flashing.

3. Press the ◀◀ or ▶▶ button to select the desired track.
4. Press the PROGRAM button again to store the track in memory, program counter advances to "02" and flashing
5. Repeat steps 3 to 4 to enter additional programs. The display will show "FU" when all the preset locations are full.
6. Press the ▶▶ button to start playback in order.
7. Press the ■ button to stop playback and press it twice to clear all programmed tracks. "PROG" icon will go off.

LISTENING TO TAPE

GENERAL OPERATION

There are 6 control keys under CASSETTE BUTTON COVER.

- | | |
|--|--|
| STOP / EJECT KEY ■▲ | Press to stop all deck operation. Press again to open the cassette door. |
| FAST FORWARD KEY ▶▶
& REWIND KEY ◀◀ | Press to start rapid tape winding in either forward or reverses direction. Press stop / eject key when the cassette spools stop turning. |
| PLAY KEY ▶ | Press to start playing tape. |
| PAUSE KEY | Press to stop tape operation temporarily. Press again to resume. |
| RECORD KEY ● | Press together with play key to start tape recording. |

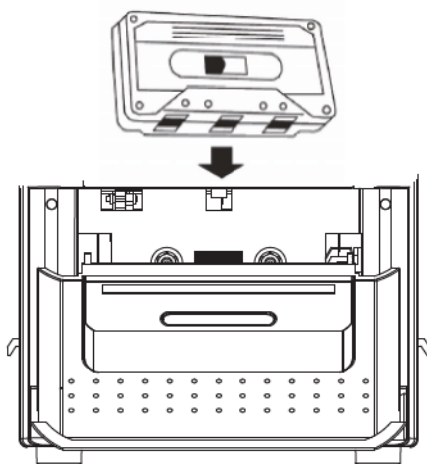
PLAYBACK

- Press FUNCTION button to active tape function, "TAPE" icon appears in display.
- Put in the cassette tape.
- Press PLAY ▶ key to active playback
- Adjust the volume control to the desired level.
- Use PAUSE || key when you want to stop playback temporarily.
- Press STOP / EJECT ■▲ key when finished.
- Close the CASSETTE BUTTON COVER after finish listening.

RECORDING

The cassette recorder features an Automatic Volume Level Control Recording System that prevents overloaded or distorted recordings. You can change the volume level as often as you like during the recording process. It will not have any effect on the volume level of the recording itself.

Insert a good quality blank tape into CASSETTE DECK with the exposed tape facing down and the full reel on the left side. Close DECK door.



A. RECORDING FROM THE FM RADIO

- Press the FUNCTION button to select FM radio mode
- Tune to the desired station and insert a blank cassette tape in deck.
- Press the RECORD ● & PLAY ► key to start recording.
- Press the PAUSE || keys and then STOP/EJECT ■▲ key when finish.

B. RECORDING FROM A CD

- Press the FUNCTION button to select CD mode.
- Insert a blank cassette tape in deck which suitable for recording.
- Press the PAUSE || key first and then RECORD ● & PLAY ► key at cassette. Recording function is now on STANDBY.
- Activate the CD player, and then press the PAUSE || at cassette to start recording.
- To stop recording, press the STOP ■ button on CD player first, then press the PAUSE || key and then STOP/EJECT ■▲ key on cassette tape deck.

C. RECORDING FROM THE AUX IN

- Press the FUNCTION button to select AUX mode.
- Connect Line out or headphone out of your external audio device to AUX IN jack via a 3.5mm plug audio cable (not included). Insert a blank cassette tape into the deck.
- Press the PAUSE || key and then press the RECORD ● and PLAY ► key at deck.
- Press play button of your external audio device to start playback and then release PAUSE || key at deck to start dubbing.
- Press the PAUSE || or STOP ■▲ key at deck when finish.

MORE FEATURES

BASS BOOST FUNCTION

Press the BASS BOOST (BASS) button to enable bass boost function if you want more bass effect when listening, "bSS" will briefly show in display. Press it again to turn off bass boost function, "oFF" message will briefly show in display.

HEADPHONE JACK

Inserting the plug of your headphones (not included) into the Headphone jack will enable you to listen in private. When using headphones, the speakers will automatically be disconnected.

READ THIS IMPORTANT INFORMATION BEFORE USING YOUR HEADPHONES

1. Avoid extended play at very high volume as it may impair your hearing.
2. If you experience ringing in your ears, reduce the volume or shut off your unit.
3. Keep the volume at a reasonable level even if your headset is an open-air type designed to allow you to hear outside sounds. Please note that excessively high volume may still block outside sounds.

AUXILIARY INPUT

This unit provides an auxiliary audio signal input jack for connecting external audio devices like MP3 players, CD players and older, non-dockable iPods (except iPod shuffle 3rd gen) so you can listen to your external source through the speakers of this system.

1. Use an audio cable (not included) with one 3.5 mm stereo plug on each end of the cable.
2. Plug one end into the AUX-IN jack on the main unit and the other end of the cable into the Line-out Jack or Headphone Jack of your external audio device.
3. Turn on the external audio device.
4. To select auxiliary audio input, press the FUNCTION button to select AUX mode.

5. The volume level can now be controlled through the main unit. Operate all other functions on the auxiliary device as usual.

Note:

- (1) If the Line Out Jack of your external device is connected, then you only need to adjust the volume control of this system. If the Headphone Jack of your external device is connected, then you may need to adjust both the volume control of your external device and the volume control of this system to find the most desirable volume setting.
- (2) Slide the MODE SWITCH to turn off the system when you finish listening. Don't forget to switch off the power on your external device as well.

RESETTING

If the system does not respond or has erratic operation, you may have experienced an electrostatic discharge (ESD) or a power surge that triggered the internal computer to shut down automatically. If this occurs, unplug the power cord and remove all batteries. Wait for 30 seconds, then reinstall the batteries and plug in AC power again. Unit will be reset and all FM presets will be erased.

CARE AND MAINTENANCE

1. Do not subject the unit to excessive force, shock, dust or extreme temperature.
2. Do not tamper the internal components of the unit.
3. Clean your unit with a dry cloth. Solvent or detergent should never be used.
4. Avoid leaving your unit in direct sunlight or in hot, humid or dusty places.
5. Keep your unit away from heating appliances and sources of electrical noise such as fluorescent lamps or motors.

ABOUT CASSETTE TAPES

Whenever you record on a cassette any previously recorded material is erased as the new material is recorded. To prevent you from accidentally erasing material which you wish to save, blank cassettes are equipped with erase prevention tabs for each side of the tape. If the erase prevention tab for side A is removed, you cannot accidentally record on side A. The Record ● key cannot be depressed if the erase prevention tab on the cassette has been removed.

To prevent accidental erasing on side A of a cassette use a small screw driver or similar tool to break off the erase prevention tab for side A. This prevents the record key from locking.



If later you do wish to record on side A of the cassette, cover the tab opening with a piece of cellophane tape. This will allow the Record ● to function again.

CASSETTE CARE

Two common causes of trouble experienced when using cassettes are:

- 1) Tape Jamming – Leading to uneven speed in playback, and
- 2) Tape Tangling – Where the tape wraps itself around vital parts of the mechanism.

To reduce the likelihood of these problems occurring, the following precautions should be observed:

- Check that there are no loose layers of tape visible through the cassette center window (see Fig. 1). Take up any loose layers, using a pencil or hexagonal barrelled ballpoint pen, before inserting the cassette into the machine (see Fig.2)

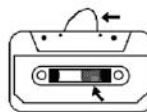


Fig. 1

- If the cassette feels tight while performing operation shown (see Fig.2), the tape may be jamming due to ridges formed in the winding of the tape (visible through the center window). These may be removed, in most cases, by fast winding of the cassette from one end to the other and back again.

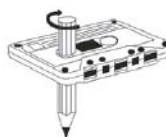


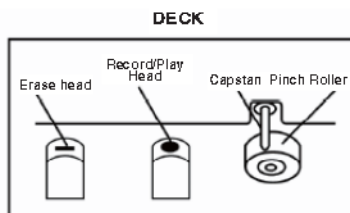
Fig. 2

- Use only well-known brands of tape. Avoid use of C-120 cassettes.

Furthermore, do not expose cassettes to direct sunlight, dust or oil, and do not touch the tape surfaces.

HEAD CLEANING

The tape heads, pinch roller and capstan require periodic cleaning. This removes particles of the metal oxide coating that wear off the tape and accumulate on these parts and impair performance. Switch off the power, press the Stop/Eject \blacksquare key to open the cassette door, and press the Play \blacktriangleright key. Clean the tape heads, pinch roller and capstan with a soft cloth or cotton pad dampened in isopropyl alcohol or special tape head cleaner.



1. Avoid operating your unit under direct sunlight or in hot, humid or dusty places.
2. Keep your unit away from heating appliances and sources of electrical noise such as fluorescent lamps or motors.
3. For better Clock Display clarity, avoid operating the unit under direct sunlight or in strong room illumination.
4. Unplug the unit from the electrical power outlet immediately in case of malfunction.

COMPACT DISC CARE

- Handle the disc only by its edges. Never allow your fingers to come in contact with the shiny, unprinted side of the disc.
- Do not attach adhesive tape, stickers etc., to the disc label.
- Clean the disc periodically with soft, lint-free, dry cloth. Never use detergents or adhesive cleaners to clean the disc. If necessary, use a CD cleaning kit.
- If disc skips or gets stuck on a section of the disc, it is probably dirty or damaged (scratched).
- When cleaning the disc, wipe in straight lines from the center of the disc to the edge of the disc. Never wipe in circular motions.

- To remove a disc from its storage case, press down on the center of the case and lift the disc out, holding it carefully by the edges.
- Fingerprints and dust should be carefully wiped off the disc's recorded surface with a soft cloth. Unlike conventional records, compact discs have no grooves to collect dust and microscopic debris so gently wiping with a soft cloth should remove most particles.



CLEANING THE UNIT

- To prevent fire or shock hazard, disconnect your unit from the AC power source when cleaning.
- The finish on the unit may be cleaned with a dust cloth and cared for as other furniture, Use caution when cleaning and wiping the plastic parts.
- If the cabinet becomes dusty wipe it with a soft dry dust cloth. Do not use any wax or polish sprays on the cabinet.
- If the front panel becomes dirty or smudged with fingerprints it may be cleaned with a soft cloth slightly dampened with a mild soap and water solution. Never use abrasive cloths or polishes as these will damage the finish of your unit.

CAUTION: Never allow any water or other liquids to get inside the unit while cleaning.

TROUBLESHOOTING GUIDE

PROBLEM	POSSIBLE CAUSE	SOLUTION
The unit does not respond (no power)	The unit is disconnected from the AC outlet	Reconnect to the AC outlet.
	AC outlet is not functioning.	Plug another device into the same outlet to confirm the outlet is working.
	No batteries installed or installed batteries are exhausted.	Install 8 x "D" batteries or replace the exhausted batteries.
Noise or sound distorted on FM broadcast	Station not tuned properly for FM. Telescopic antenna is not fully extended.	Retune the FM broadcast station. Fully extend the FM telescopic antenna.
FM STEREO indicator does not light up	You have tuned to a mono station or the station is too weak.	Select another FM station or extend or rotate the telescopic antenna for best reception.
Sound is distorted	Volume level is set to high.	Decrease the volume.
	Sound source is distorted.	Try a different audio source such as a music CD.
CD Player does not play.	CD Mode is not selected.	Slide the FUNCTION switch to select CD mode.
	CD is not installed or installed incorrectly.	Press the CD onto spindle, printed side facing up.
CD skip while playing	Disc is dirty or scratched.	Wipe with cloth or another disc.
Unit gets warm after extended play at high volume	This is normal	Turn the unit off for a period of time or lower volume.

SPECIFICATION

Power Requirement

Main unit:

AC120V~ 60Hz or

8 x 1.5V "D" (UM-1) size batteries (not included)

Frequency Range

Radio Band

FM 87.5 ~ 108 MHz

Power Consumption

Main Unit:

18 Watts



At Spectra, environmental and social responsibility is a core value of our business. We are dedicated to continuous implementation of responsible initiatives with an aim to conserve and maintain the environment through responsible recycling.

Please visit us at <http://www.spectrainit.com/green.htm> for more information on Spectra's green initiatives or to find a recycler in your area.

**90 DAY LIMITED WARRANTY AND SERVICE
VALID IN THE U.S.A ONLY**

SPECTRA MERCHANDISING INTERNATIONAL, INC. warrants this unit to be free from defective materials or factory workmanship for a period of 90 days from the date of original customer purchase and provided the product is utilized within the U.S.A. This warranty is not assignable or transferable. Our obligation under this warranty is the repair or replacement of the defective unit or any part thereof, except batteries, when it is returned to the SPECTRA Service Department, accompanied by proof of the date of original consumer purchase, such as a duplicate copy of a sales receipt.

You must pay all shipping charges required to ship the product to SPECTRA for warranty service. If the product is repaired or replaced under warranty, the return charges will be at SPECTRA's expense. There are no other express warranties other than those stated herein.

This warranty is valid only in accordance with the conditions set forth below:

1. The warranty applies to the SPECTRA product only while:
 - a. It remains in the possession of the original purchaser and proof of purchase is demonstrated.
 - b. It has not been subjected to accident, misuse, abuse, improper service, usage outside the descriptions and warnings covered within the user manual or non-SPECTRA approved modifications.
 - c. Claims are made within the warranty period.
2. This warranty does not cover damage or equipment failure caused by electrical wiring not in compliance with electrical codes or SPECTRA user manual specifications, or failure to provide reasonable care and necessary maintenance as outlined in the user manual.
3. Warranty of all SPECTRA products applies to residential use only and is void when products are used in a nonresidential environment or installed outside the United States.

This warranty gives you specific legal rights, and you may also have other rights which vary from state to state. TO OBTAIN SERVICE please remove all batteries (if any) and pack the unit carefully and send it freight prepaid to SPECTRA at the address shown below. IF THE UNIT IS RETURNED WITHIN THE WARRANTY PERIOD shown above, please include a proof of purchase (dated cash register receipt) so that we may establish your eligibility for warranty service and repair of the unit without cost. Also include a note with a description explaining how the unit is defective. A customer service representative may need to contact you regarding the status of your repair, so please include your name, address, phone number and email address to expedite the process.

IF THE UNIT IS OUTSIDE THE WARRANTY PERIOD, please include a check for \$40.00 to cover the cost of repair, handling and return postage. All out of warranty returns must be sent prepaid.

It is recommended that you contact SPECTRA first at 1-800-777-5331 or by email at custserv@spectrainfl.com for updated information on the unit requiring service. In some cases the model you have may be discontinued, and SPECTRA reserves the right to offer alternative options for repair or replacement.

SPECTRA MERCHANDISING INTERNATIONAL, INC.
4230 North Normandy Avenue,
Chicago, IL60634, USA.
1-800-777-5331

To register your product, visit the link on the website below to enter your information.
<http://www.spectrainfl.com/wform.htm>