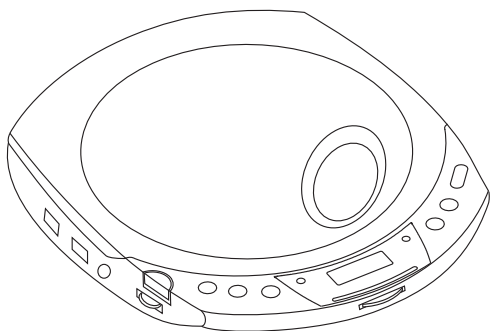


**JENSEN®**  
**audio**

**MODEL CD-70AF**

**PERSONAL AM/FM STEREO CD PLAYER**

**INSTRUCTION MANUAL**



**Please read this Instruction Manual carefully before  
using the unit and retain it for future reference**

**DEAR JENSEN CUSTOMER**

Selecting fine audio equipment such as the unit you've just purchased is only the start of your musical enjoyment. Now it's time to consider how you can maximize the fun and excitement your equipment offers. This manufacturer and the Electronic Industries Association's Consumer Electronics Group want you to get the most out of your equipment by playing it at a safe level. One that lets the sound come through loud and clear without annoying blaring or distortion and, most importantly, without affecting your sensitive hearing.

Sound can be deceiving. Over time your hearing "comfort level" adapts to higher volumes of sound. So what sounds "normal" can actually be loud and harmful to your hearing. Guard against this by setting your equipment at a safe level BEFORE your hearing adapts.

**To establish a safe level:**

- Start your volume control at a low setting.
- Slowly increase the sound until you can hear it comfortably and clearly, and without distortion.

**Once you have established a comfortable sound level:**

- Set the dial and leave it there.

Taking a minute to do this now will help to prevent hearing damage or loss in the future. After all, we want you listening for a lifetime.

**We Want You Listening For a Lifetime**

Used wisely, your new sound equipment will provide a lifetime of fun and enjoyment. Since hearing damage from loud noise is often undetectable until it is too late, this manufacturer and the Electronic Industries Association's Consumer Electronics Group recommend you avoid prolonged exposure to excessive noise.

**Customer's Record:**

The serial number of this product is found on its bottom cover. You should note the serial number of this unit in the space provided as a permanent record of your purchase to aid in identification in the event of theft or loss.

**Model Number: CD-70AF**

**Serial Number:** \_\_\_\_\_

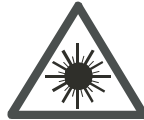
EN-1

## WARNING

### CLASS 1 LASER PRODUCT

CLASS 1 LASER PRODUCT  
APPAREIL LASER DE CLASSE 1  
PRODUCTO LASER DE CLASE 1

**CAUTION**  
INVISIBLE LASER RADIATION  
WHEN OPEN AND INTERLOCKS  
DEFEATED.  
AVOID EXPOSURE TO BEAM



This product contains a low power laser device.

## SAFETY PRECAUTIONS

1. As the laser beam used in this compact disc player is harmful to the eyes, do not attempt to disassemble the casing.
2. Stop operation immediately if any liquid or solid object should fall into the cabinet. Unplug the unit and have it checked by qualified personnel.
3. Do not touch the lens or poke at it. If you do, you may damage the lens and the player may not operate properly.
4. Do not put anything in the safety slot. If you do, the laser diode will be ON when the lid is still opened.
5. If the unit is not to be used for a long period of time, make sure that all power sources are disconnected from the unit. Remove all batteries from the battery compartment, and unplug the AC adaptor from the wall outlet. Make it a practice to remove the AC adaptor by grasping the main body and not by pulling the cord.
6. This unit employs a laser. The use of controls or adjustment or performance of procedures other than those specified herein may result in exposure to hazardous radiation.

EN-2

## IMPORTANT NOTE

1. This product does not contain a separate Power On / Off switch. After inserting a disc and installing batteries / AC adaptor, simply press the Play button to switch on and play a disc.
2. In order to maximize battery life and provide optimum playing time this product incorporates an Auto Power Off function. The power to the player will automatically switch off approximately 30 seconds after a disc has finished playing or when the CD lid is opened.

## COMPLIANCE WITH FCC REGULATIONS

This equipment has been tested and found to comply with the limits for a Class B digital device, pursuant to Part 15 of the FCC Rules. These limits are designed to provide reasonable protection against harmful Interference in a residential installation. This equipment generates, uses and can radiate radio frequency energy and, if not installed and used in accordance with the instructions, may cause harmful interference to radio communications. However, there is no guarantee that interference will not occur in a particular installation. If this equipment does cause harmful interference to radio or television reception, which can be determined by turning the equipment off and on, the user is encouraged to try to correct the interference by one or more of the following measures:

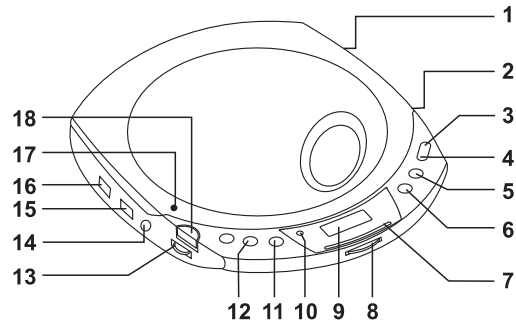
- Reorient or relocate the receiving antenna.
- Increase the separation between the equipment and receiver.
- Connect the equipment into an outlet on a circuit different from that to which the receiver is connected.
- Consult the dealer or an experienced radio technician for help.

## WARNING

Changes or modifications to this unit not expressly approved by the party responsible for compliance could void the user's authority to operate the equipment.

EN-3

## LOCATION OF CONTROLS



1. Battery Door	10. FM Stereo Indicator
2. DC Input Socket	11. P. (Play) Mode Button
3. Play/Pause  Button	12. Program Button
4. Stop  Button	13. Volume Control
5. Skip/Search Forward  Button	14. Headphone Jack
6. Skip/Search Back  Button	15. Bass Boost Switch
7. Dial Lens	16. Function Selector (CD-AM-FM)
8. Tuning Control	17. CD Door Close
9. LCD Display	18. CD Door Open Button

## POWER SOURCE

This CD player operates on two 1.5V 'AA' size (UM-3) alkaline batteries (Not included) or an AC adaptor with an output of 4.5V DC/600mA (Not included).

### To Install Batteries Into The Player

1. Open the battery compartment cover located on the bottom of the cabinet.
2. Insert two 1.5V 'AA' size (UM-3) alkaline batteries into the Battery Compartment following the polarity markings as indicated in the compartment.
3. Close the battery door and slide it back into place.

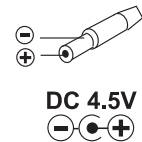
EN-4

## BATTERY CARE

- Be sure that the batteries are installed correctly. Wrong polarity may damage the unit.
- Do not mix old and new batteries.
  - Do not mix alkaline, standard (carbon-zinc) or rechargeable (nickel-cadmium) batteries.
- If the unit is not to be used for an extended period of time, remove the batteries. Old or leaking batteries can cause damage to the unit and may void the warranty.
- Never attempt to recharge "Non-rechargeable" batteries.
- Do not dispose of batteries in fire, batteries may explode or leak.

### Using An Adaptor (Not included) To Power The Player

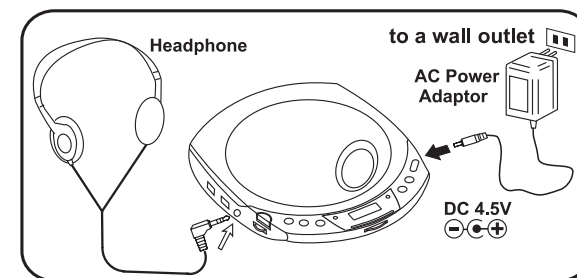
1. Before connecting the adaptor to the player make sure that the AC voltage of the adaptor corresponds to your local AC outlet voltage. The polarity of the adaptor must match to the polarity markings next to the DC jack on the player.
2. Plug the AC adaptor into a household AC outlet.
3. Insert the DC plug into the jack on CD-70AF.



**NOTE:** When the adaptor is connected, the batteries will be automatically disconnected and the player will now operate on the adaptor's power. Once the adaptor is unplugged the player will automatically switch to back to battery power.

## EARPHONES & ADAPTOR CONNECTION

Connect your AC adaptor and Headphone Jack as shown

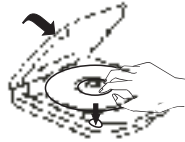


EN-5

## BASIC OPERATION

**NOTE:** For correct operation of the CD control functions, please press and hold the respective buttons and release them slowly.

1. Press the CD Lid Open Button once to release the CD lid.
2. Insert a disc with the label side facing up.
3. Close the CD Lid. A click will be heard when it locks into place.
4. Press the PLAY/PAUSE ►|| button once to start playing. The CD player will turn on and " -- " will flash in the display. Within a few seconds the total number of tracks and total playing time of the CD will be shown on the Display. The player will start playing from track 1 and the elapsed time will show on the Display at the same time.
5. Adjust the sound level using the VOLUME CONTROL.
6. To enhance the bass sound, set the BBS Switch to the "ON" position.



**NOTE:** The bass boost performance will be increased or decreased depending on the volume level.

### 7. Locating a Particular Track

To skip back to the beginning of the current or previous track	Press ◀◀ once or repeatedly.
To skip to the beginning of the following tracks	Press ▶▶ once or repeatedly

### 8. Locating a Particular Point in a Track

To search back at a high speed	Press and hold ◀◀
To search forward at a high speed	Press and hold ▶▶

9. Playback will stop when the last track on the CD has finished playing.

### Turning Power On And Off

To turn "ON" and "OFF", press the following buttons after a disc has inserted into the player.

- To turn ON: Press the PLAY/PAUSE ►|| Button (playback starts)  
 To turn OFF : Press the STOP ■ Button once for standby mode.  
 Press the STOP ■ Button again to turn off the power.

### Auto Power-Off Function (CD Mode only)

The power will automatically turned if the unit is stopped (Standby mode) or if no buttons are pressed for approximately 30 seconds.

### To Remove the Disc

1. Press the CD LID OPEN button to open the CD compartment lid.
2. Hold the edge of the CD and gently press the center spindle as illustrated and remove the disc.



**CAUTION: WAIT FOR THE DISC TO STOP SPINNING BEFORE PRESSING THE CD DOOR OPEN BUTTON TO OPEN THE LID.**

## LCD DISPLAY INFORMATION

### When The ►|| Button Is Pressed at Initial Start Pp

- The display will show "--" and then the total number of tracks and total playing time. The disc will start playing and the display will show the first track number and elapsed playing time.
- To review the total number of tracks and total playing time of the disc, press the STOP ■ Button once.



Total Tracks Total Playing Time

### During PLAY Mode

The track number and the elapsed playing time are displayed.

### During PAUSE mode

When the track playback is paused, the playing time flashes.

### Battery Low Indicator

A flashing battery indicator 🔋 appears on the display when the batteries need to be replaced.


## VARIOUS PLAYBACK MODES

### NORMAL PLAYBACK


The whole disc will play and the player will stop after the last track is finished.

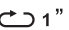
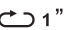
Every time the **P.MODE** Button is pressed, the corresponding mode will appear on the Display, in the following sequence:

**REPEAT 1** During play or stop mode press the **MODE** button once

 **1** The current track on the disc will be repeated when this shows on the display.

**REPEAT ALL** During play or stop mode press the **MODE** button twice

 **ALL** All tracks on the disc will be repeated when this shows on the display.

To cancel the Repeat function, press the **MODE** Button repeatedly until “ 1” or “ ALL” disappears from the Display.

### INTRODUCTORY (INTRO) SCAN

To play the first 10 seconds of each track on the disc.

1. From STOP mode press the **P.MODE** Button three times, **INTRO** will show on the display.
2. Press **▶▶** button to start INTRO play from track number 01.
3. If INTRO mode is selected during play, **INTRO** will start flashing in the display.
  - Press **▶▶** button. INTRO stops flashing and INTRO play starts from track 01.
  - Press **▶▶** to start INTRO play from next track.
  - Press **◀◀** to start INTRO play from current track.
  - To cancel INTRO play, press **▶▶** again. Playback continues on current track.

### RANDOM

To enable all the tracks on the disc to be played in a Random sequence.

1. In STOP mode press the **MODE** button four times, **RANDOM** Indicator, “SHUFF”, will be displayed.
2. Press **▶▶** button. A track is selected at random and playback begins.
3. If **RANDOM** mode is selected during play, “SHUFF” will appear and flash in the LCD Display.
4. Press **◀◀** or **▶▶** button once. “SHUFF” stops flashing and **RANDOM** playback begins.
5. Press the **MODE** Button again to return to normal play mode.

### PROGRAMMED PLAY

Programs can be set either in STOP or normal play mode.

1. Press the **PROG** button once, **PROG** No. 01 appears. **PROG** and Track No. **00** start flashing in the display.
2. Press **◀◀** or **▶▶** to select the desired track. For example track 5 is selected.
3. When the desired track is displayed, press the **PROG** button to register. The **PROG** No. changes to **02**. Track No. returns to **00** and flashes together with **PROG**.
4. Repeat steps 2 and 3 to program more tracks. Up to 20 tracks can be programmed into the memory.
5. Press **▶▶** to start the programmed play.
6. To erase the program, in STOP mode press the **▶▶** Button.



## RADIO OPERATION

1. Set the FUNCTION SELECTOR to either "AM" or "FM" for the desired radio band.
2. Tune to a radio station using the TUNING CONTROL.

Note:

- i. The Headphone cord also works as an external FM antenna. To insure maximum FM tuner reception, always keep the headphone cord fully extended. Do not wind or fold the headphone cord while listening to the radio. The FM Stereo Indicator will light steadily when a stereo program is being received.
  - ii. When tuning in an AM station, be sure to place the unit in a vertical position. For maximum AM reception, keep turning the unit slowly while keeping it vertical until the best reception is obtained.
3. Adjust the VOLUME CONTROL to obtain the desired sound level.
  4. Slide the BASS BOOST SWITCH to "ON" for enhanced bass effect of the radio program.
  5. To turn off the radio, slide the FUNCTION SELECTOR to the "CD" position.

## PLAYER MAINTENANCE

### Cleaning the Cabinet

Wipe with a soft cloth. If the cabinet is very dirty, dampen the cloth with a weak solution of neutral detergent and water, and then wipe clean.

### Cleaning the Lens

A dirty lens will cause sound skipping and, if the lens is very dirty, the CD may not work. Never touch the lens with your finger or press down on the lens assembly. Damage may occur or you may scratch the lens. Open the disc cover and clean the lens as follows:

#### Dust or Dry Particles

Using a camera lens brush/blower, blow on the lens a couple of times, wipe it lightly with the brush to remove dust. Then, blow on the lens once more.

## DISC CLEANING

### Cleaning the Disc

When a disc becomes dirty, clean it with a cleaning cloth. Wipe the disc from the centre out.



### Note

Do not use solvents such as benzene petrol, thinner, commercially available cleaners or anti-static spray intended for analogue discs.

## TROUBLESHOOTING GUIDE

Should you experience difficulties in the use of this player please refer to the following chart or call 1-800-777-5331 for Customer Service.

Problem	Points to Check
Player fails to function	Disc may be inserted upside down Disc not mounted correctly on spindle Dirty or defective disc Dirty pick up lens Player lid not closed Moisture/Condensation, allow player to warm up to room temperature for 60 minutes AC power to adaptor switched off Weak batteries Auto switch off has occurred
No sound from Headphones	Headphone plug is not firmly inserted into the Phones socket.
Intermittent sound	Dirty or defective disc Dirty pick up lens Player is subject to excessive vibration or shock Low battery power Poor Headphone connection

## SERVICE

Please refer to the instructions on the enclosed warranty card for returning your unit for service. When returning the unit, please remove batteries to prevent damage to the unit in transit and/or from possible battery leakage. We are not responsible for batteries returned with the product or for the cost of replacement.

Distributed by:  
SPECTRA - Merchandising International, Inc.  
Chicago Industry Tech Park  
4230 North Normandy Avenue,  
Chicago, IL 60634, U. S. A.  
Please have model number ready,  
for Customer Service, call 1-800-777-5331

Printed in China

EN-12