



**BLUETOOTH CD PLAYER WITH
DIGITAL FM RADIO AND BASS BOOST**



**MODEL: CD-60R-BT
USER MANUAL**



**PLEASE READ THIS USER MANUAL COMPLETELY BEFORE OPERATING
THIS UNIT AND RETAIN THIS BOOKLET FOR FUTURE REFERENCE**

**Please contact Spectra Customer Service at 1-800-777-5331 if
you have any questions about operating this product**

COMPLIANCE WITH FCC REGULATIONS

FCC ID: 2A38HCD-60R-BT

This device complies with Part 15 of the FCC Rules. Operation is subject to the following two conditions:

- (1) This device may not cause harmful interference, and
- (2) This device must accept any interference received, including interference that may cause undesired operation.

This equipment has been tested and found to comply with the limits for a Class B Digital Device, pursuant to Part 15 of the FCC Rules. These limits are designed to provide reasonable protection against harmful interference in a residential installation. This equipment generates, uses and can radiate radio frequency energy and, if not installed and used in accordance with the instructions, may cause harmful interference to radio communications. However, there is no guarantee that interference will not occur in a particular installation. If this equipment does cause harmful interference to radio or television reception, which can be determined by turning the equipment off and on, the user is encouraged to try to correct the interference by one or more of the following measures:

- Reorient or relocate the receiving antenna.
- Increase the separation between the equipment and receiver.
- Connect the equipment into an outlet on a circuit different from that to which the receiver is connected.
- Consult the dealer or an experienced radio/TV technician for help.

WARNING

Changes or modifications to this unit not expressly approved by the party responsible for compliance could void the user's authority to operate the equipment.

CAUTION

CLASS 1 LASER PRODUCT

CLASS 1 LASER PRODUCT
APPAREILLASER DE CLASSE 1
PRODUCTO LASER DE CLASE 1

CAUTION
INVISIBLE LASER RADIATION
WHEN OPEN AND INTERLOCKS
DEFEATED.
AVOID EXPOSURE TO BEAM



This product contains a low power laser device.

Follow the advice below for safe operations.

ON PROTECTION AGAINST LASER ENERGY EXPOSURE

- As the laser beam used in this compact disc player is harmful to the eyes, do not attempt to disassemble the casing.
- Stop operation immediately if any liquid or solid object should fall into the cabinet.
- Do not touch the lens or poke at it. If you do, you may damage the lens and the player may not operate properly.
- Do not put anything in the safety slot. If you do, the laser diode will be ON when the CD door is still open.
- If the unit is not to be used for a long period of time, make sure that all power sources are disconnected from the unit. Remove all batteries from the battery compartment.
- This unit employs a laser. The use of controls or adjustment or performance of procedures other than those specified here may result in exposure to hazardous radiation.

Should any trouble occur, remove the power source and refer servicing to qualified personnel.

PROTECT YOUR FURNITURE

This system is equipped with non-skid rubber 'feet' to prevent the product from moving when you operate the controls. These 'feet' are made from non-migrating rubber material specially formulated to avoid leaving any marks or stains on your furniture. However certain types of oil based furniture polishes, wood preservatives, or cleaning sprays may cause the rubber 'feet' to soften, and leave marks or a rubber residue on the furniture.

To prevent any damage to your furniture we strongly recommend that you purchase small self-adhesive felt pads, available at hardware stores and home improvement centers everywhere and apply these pads to the bottom of the rubber 'feet' before you place the product on fine wooden furniture.

DEAR JENSEN® CUSTOMER

Selecting fine audio equipment such as the unit you've just purchased is only the start of your musical enjoyment. Now it's time to consider how you can maximize the fun and excitement your equipment offers. This manufacturer and the Electronic Industries Association's Consumer Electronics Group want you to get the most out of your equipment by playing it at a safe level. One that lets the sound come through loud and clear without annoying blaring or distortion and, most importantly, without affecting your sensitive hearing. Sound can be deceiving. Over time your hearing "comfort level" adapts to higher volumes of sound. So what sounds "normal" can actually be loud and harmful to your hearing. Guard against this by setting your equipment at a safe level BEFORE your hearing adapts.

To establish a safe level:

- Start your volume control at a low setting.
- Slowly increase the sound until you can hear it comfortably and clearly, and without distortion.
- Once you have established a comfortable sound level: Set the dial and leave it there. Taking a minute to do this now will help to prevent hearing damage or loss in the future. After all, we want you listening for a lifetime.

We Want You Listening For a Lifetime

Used wisely, your new sound equipment will provide a lifetime of fun and enjoyment. Since hearing damage from loud noise is often undetectable until it is too late, this manufacturer and the Electronic Industries Association's Consumer Electronics Group recommend you avoid prolonged exposure to excessive noise.



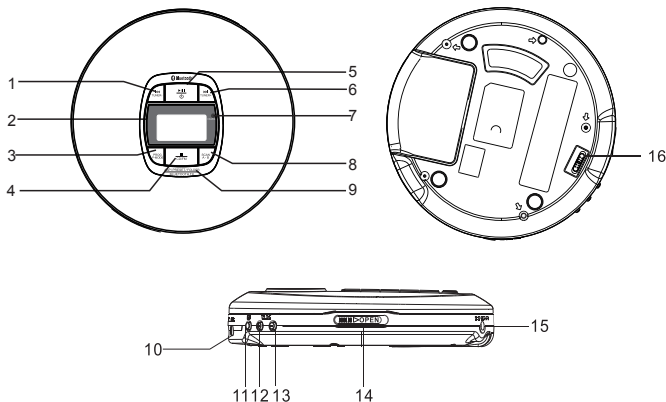
Customer's Record:

The serial number of this product is found on its bottom cover. You should note the serial number of this unit in the space provided as a permanent record of your purchase to aid in identification in the event of theft of loss.

Model Number: CD-60R-BT

Serial Number: _____

LOCATION OF CONTROLS



- | | | | |
|---|-----------------------------|----|---|
| 1 | ◀◀ / TUNER-BUTTON | 9 | ASP/ PRESET / FOLDER /
BLUETOOTH TX BUTTON |
| 2 | LCD DISPLAY | 10 | HEADPHONE JACK |
| 3 | PROGRAM / PLAY MODE BUTTON | 11 | BBS ON/OFF BUTTON |
| 4 | ■ / CD/FM MODE BUTTON | 12 | VOLUME + BUTTON |
| 5 | POWER ON / OFF / ▶▶▶ BUTTON | 13 | VOLUME - BUTTON |
| 6 | ▶▶▶ / TUNER + BUTTON | 14 | CD DOOR OPEN SWITCH |
| 7 | BATTERY CHARGING INDICATOR | 15 | DC IN JACK |
| 8 | SCAN / A-B BUTTON | 16 | HOLD SWITCH |

POWER SOURCE

Built-in Lithium Battery

This unit operates on a built-in Li-ion battery that can be recharged either by using DC 5V, 1A USB charger (not included) or from an AC adaptor (not included) with a rated output of DC 5V, 1000mA. The internal battery may not be fully charged out of the box, even if the Red charging LED turns off. We recommend that you charge the CD-60R-BT for at least 5 hours before first use.

Note: The Micro USB and DC IN jack are located on the right hand side of the unit. They are

designed for charging the internal Li-ion battery. The unit will still operate while charging, but doing this may reduce the battery life and increase the charging time.

LOW BATTERY INDICATOR

When using battery power to operate this unit and the battery power becomes weak, the "BATTERY LOW" will show on display for few seconds and repeat. You are recommended to charge the rechargeable battery.

Note:

1. After prolonged use, the battery voltage will discharge and operation might become intermittent. When this happens, please recharge the internal battery.
2. Charging time will be vary if you are listening to music while charging the unit battery. We recommend you turn off the unit power during the charging process or until the unit battery is fully charged.
3. To prolong the life of a rechargeable battery, it is recommended to completely discharge it before fully charging it again.
4. Rechargeable batteries need to be cycled for maximum performance and longer battery life. If you don't use the player that often, be sure to recharge the battery at least once a month in order to keep the internal battery working properly.



BATTERY NOTE AND CARE

- Do not burn or bury batteries.
- Do not puncture or crush.
- Do not disassemble.
- Recycle Li-ion batteries. Do not dispose of in the trash.
- Use only chargers rated for Li-ion cells. Be sure the charger's voltage and current settings are correct for the battery pack being charged.
- Charge batteries on a fireproof surface away from flammable items or liquids.
- Batteries should NEVER be left unattended while charging. Only adults should charge the batteries.
- Follow the manufacturer's instructions for charging the product and do not charge longer than recommended. Unplug the charger when the battery is charged or not in use.

CHARGING THE BATTERY USING THE micro USB PORT

1. Charge the built-in Li-ion battery a minimum of 5 hours prior to first use.
2. Use the included charging cord, and plug the CD-60R-BT into an USB power adaptor (not included).
3. The Red charging LED located on the top panel will light. It will turn off when the battery is fully charged.
4. Unplug the USB cable from the power source once the battery is fully charged.

NOTE

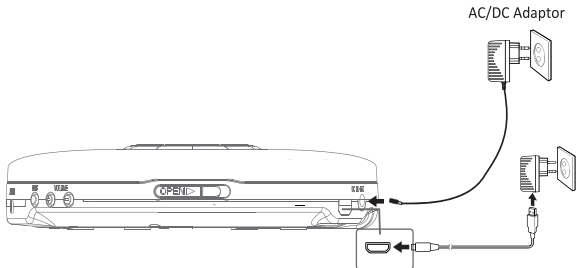
1. You can use an USB AC adaptor with an output current of 500 mA or computer USB port as well, but it may take a very long time (10 hours or more) before charging completes. When using such a USB AC adaptor, it's recommended that you turn off power before charging the battery.
2. Use of an USB AC adaptor with an output current of less than 500 mA is not guaranteed for battery charging.

CHARGING THE BATTERY USING THE AC Adaptor (Not included)

Use an AC adaptor with output DC 5V --- 1000mA.

1. Plug the AC adapter (not included) into normal AC power outlet socket.
2. Insert the DC plug of the AC adapter cord into the DC IN JACK.
3. The Red charging LED located on the top panel will light. It will turn off when the battery is fully charged.
4. Unplug the AC adaptor once the battery is fully charged.

WARNING : Before connecting to the power supply, ensure that the supply corresponds to the information on the rating label at the back of the apparatus.



EARPHONES CONNECTION (PLUG-IN TYPE)

Connect the plug of the stereo earphone (included) into the EARPHONES JACK (#10).

CAUTION

- Avoid excessive volume levels for long period of time when using the earphones. Prolonged use at high levels may impair your hearing.
- Do not use earphones while operating a motorized vehicle, as it may create a traffic hazard and is illegal in many areas.

CD OPERATION

PLEASE READ THIS IMPORTANT INFORMATION:

CD mechanisms used in devices like this are designed to fully read all commercial CDs. They will also read self-compiled CD-R/CD-RW discs but it may take up to 10 seconds for playback to start. If playback does not start, it is likely due to the quality of the CD-R/RW disc and/or the compatibility of the CD compilation software. Manufacturer is not responsible for the playback quality of CD-R/RW discs.

Do not attach a label or seal to either side of the CD-R/RW disc. It may cause a malfunction.

1. Make sure the HOLD switch (#16) located on the bottom of the unit is set to OFF position. Press and hold the ON/OFF BUTTON (#5) to turn on the unit.
2. Press and hold the MODE BUTTON (#4) to enter CD mode if necessary.

- Slide the CD DOOR OPEN SWITCH (#14) to open the CD door. Carefully place an audio CD with its label side upward in the CD compartment and close the CD door.
- The player will start reading TOC of the disc and display showing "READ" during CD loading.
- The total number of tracks and time on the CD will appear on the LCD DISPLAY (#2) after a few seconds.
Note: Display will show total number of folders and tracks on MP3 CD.
- Tap the ►|| BUTTON (#5) to start to play.
- Press the VOLUME +/- BUTTONS (#12/13) to obtain the desired sound.
- To pause the CD, tap the ►|| BUTTON (#5) again. To resume playing, tap the ►|| BUTTON (#5) again.
- You can choose to play your favorite track directly by pressing either the ►► or ◀◀ BUTTONS (#1 or #6) repeatedly. The LCD Display (#2) will indicate the correct track number selected.
- To locate a particular passage within a track, press and hold the ►► or ◀◀ BUTTONS (#1 or #6) until it is found.
Note: Low level audio will be heard during the search process to assist in locating correct point in the track.
- To repeat a particular track, tap the PROGRAM/PLAY MODE BUTTON (#3) repeatedly until the REP 1 indicator lights on the LCD DISPLAY (# 2).
- To repeat the entire CD, tap the PROGRAM/PLAY MODE BUTTON (#3) repeatedly until the REP ALL indicator lights on the LCD DISPLAY (# 2).
- Tap the PROGRAM/PLAY MODE BUTTON (#3) repeatedly until the RANDOM indicator light on the LCD display to play songs randomly.
- Tap the PROGRAM/PLAY MODE BUTTON (#3) repeatedly until the INTRO indicator light on the LCD display to play first 10 seconds of each song.
- When playing a MP3 CD, tap the PROGRAM/PLAY MODE BUTTON (#3) repeatedly until the REP DIR indicator light on the LCD DISPLAY (#2) to repeat playing songs in the folder.
- To stop playing, tap the STOP ■ BUTTON (#4).
- Press and hold the ON/OFF BUTTON (# 5) to turn off the unit.

NOTE: The unit will automatically go into power saver mode and turn off if the CD player is stopped for 2 minutes or longer.

FOLDER UP (MP3 CD only)

Tap the ASP/PRESET BUTTON (#9) repeatedly to select MP3 CD folder location in the upward direction.

PROGRAM OPERATION

This function allows the tracks to be played in a programmed sequence. Programs can be set in STOP mode.

- Tap the PROGRAM/PLAY MODE BUTTON (#3) once. The track number "T-01" and Program Channel Number "P01" will appear on display. "01" of the track number will blink on the LCD DISPLAY (#2) to prompt for input.
- Tap the ►► or ◀◀ BUTTONS repeatedly (#1 or #6) to select the track to be programmed.
Note: Tap the PRESET (#9) button to select next MP3 folder if you are programming

- tracks of a MP3 CD. Tap the PRESET (#9) button repeatedly to cycle the folder selection.
3. Tap the PROGRAM/PLAY MODE BUTTON (#3) again to store selection. The Program Channel Number will change to "P02" and the track number keeps blink to prompt for input the next track to be programmed.
 4. You may repeat steps 2 - 3 to program up to 24 tracks.
 5. Tap PLAY/PAUSE ►|| BUTTON (#5) to start the programmed play, "PGM" icon appears on the LCD display.
 6. You may repeat the current programmed track or all programmed tracks by pressing the PROGRAM/PLAY MODE BUTTON (#3) once or twice at programmed play mode.
 7. Tap STOP ■ BUTTON (#4) once to stop playback.
 8. Tap PLAY/PAUSE ►|| BUTTON (#5) to resume programmed play.
 9. To cancel programmed play and, press the STOP ■ BUTTON (#4) twice.

A-B REPEAT PLAYBACK

1. During playback, press REPEAT A-B BUTTON (#8) at the point where you want to start playing repeatedly.
Repeat A- is displayed on the LCD display (#2).
2. Press REPEAT A-B BUTTON (#8) at the point where you want to stop playing repeatedly.
Repeat A-B is displayed on the display (#2), and the specified section (point A to point B) is played back repeatedly.
3. Tap the STOP ■ BUTTON (#4) to clear the A-B repeat playback setting and stop playback.

ANTI-SHOCK PROTECTION

This player incorporates an electronic anti-skip circuit to prevent interruption of the sound output when the unit is subjected to shock, vibration or rolling during CD playback. The anti-shock system will automatically activate when an MP3 disc is playing. When playing standard audio CDs, anti-shock default is always ON and the "ESP" indicator will appear on the LCD DISPLAY (#2) when a CD is playing. Tap the ASP BUTTON (#9) as shown to turn the anti-skip feature OFF, tap the ASP BUTTON (#9) to turn the anti-shock function on again.



Once anti-skip buffer is full, it will give you approximately 60 seconds for CD and 120 seconds for MP3 CD of protection against interruption of sound output. If the player is subjected to shock or rolling for longer than the buffer memory, some interruption of sound output will occur. This is normal and to be expected and the sound will resume once the player has stabilized from the shock or rolling disturbance.

Note: The anti-skip function provides for continuous sound output when the unit is subjected to shock or vibration. It will not compensate for errors arising from the use of defective, scratched or dirty discs.

RADIO OPERATION

1. Press and hold the ON/OFF BUTTON (#5) to turn on the unit.
2. Press and hold the CD/FM MODE BUTTON (#4) to enter FM mode if the unit is in CD mode. "FM" will appear on the LCD DISPLAY (#2) along with the current FM radio station frequency.
3. To automatically scan and store radio stations, press and hold the SCAN BUTTON (#8) until frequency readout on the display begins to scan and then release the button.
4. To manually tune to a specific radio station, tap the TUNER- or TUNER+ BUTTON (#1 or #6) repeatedly. Use the manual tuning method to tune in weaker stations that are bypassed during Automatic Tuning.
5. To automatically tune to the next available radio station, press and hold the TUNER- or TUNER+ BUTTON (#1 or #6) for 1-2 seconds until frequency readout on the display begins to scan and then release the button. The tuner will stop scanning when it receives the next broadcasting station of adequate signal strength.
6. Press the volume control VOLUME +/- BUTTON (#12/#13) to the desired volume level.

FM / FM STEREO OPERATION:

If a stereo broadcast program is being received, the FM STEREO INDICATOR "ST" will appear on the display. During FM or FM Stereo reception, always keep the earbuds wire fully extended for best performance. However, if FM reception is weak, try repositioning the unit near an open window until you get the best reception.

TIPS FOR BEST RECEPTION

The cord of the earbuds acts as an antenna for the radio and must be fully extended for best reception.

PRESET RADIO STATIONS

1. Press and hold the ON/OFF BUTTON (#5) to turn on the unit.
2. Press and hold the MODE BUTTON (#4) to enter FM mode when the unit is at CD mode, the FM radio frequency appear on the LCD DISPLAY (#2).
3. Tune to the desired radio station either by "manually" or "automatically" tuning method.
4. Tap the PROGRAM/PLAY MODE BUTTON (#3), the preset memory number flash on the LCD DISPLAY (#2). (Note: P01 will blink in the display if you are programming preset for first time).
5. Tap the PRESET BUTTON (#9) repeatedly to select the preset number you want to assign the station to.
6. Tap the PROGRAM/PLAY MODE BUTTON (#3) to confirm the setting.
7. Repeat above steps 3 - 6 to preset up to 30 FM stations.

NOTE:

This unit features an AUTO SEARCH function that will automatically save the first 30 strong stations found. To use this feature, make sure the unit is in FM mode. Press and hold the SCAN BUTTON (#8) until the station frequency begins to scan. The unit will scan from the lowest frequency to the highest frequency within the frequency band. The first strong radio stations found will be stored in the preset locations starting from P01. This will continue storing P02 and up until all 30 presets are stored, or until it runs out of stations to scan.

RECALLING PRESET RADIO STATIONS

Press the PRESET BUTTON (#9) repeatedly to select the location of the station you want to listen to.

BLUETOOTH TRANSMIT MODE

The CD-60R-BT has a built-in Bluetooth transmitter that allows you to wirelessly stream to Bluetooth compatible devices like speakers, headphones or earbuds. Follow the steps below to connect to a Bluetooth device and stream your favorite CDs to that device.

PAIRING WITH A BLUETOOTH DEVICE (SPEAKERS, HEADPHONES OR EAR BUDS)

1. Press and hold the MODE BUTTON (#4) to enter CD mode.
2. Make sure the Bluetooth device to you want to stream to is ON and set to pairing mode. **NOTE:** For best results, have the Bluetooth device as close as possible or within 3 feet of the CD-60R-BT when pairing.
3. Press and hold the BLUETOOTH TX BUTTON (#9) to switch to Bluetooth Search Mode. Release the BLUETOOTH TX BUTTON (#9) once "BT SEARCH" shows on the LCD Display (#2) (Fig 1).
4. The CD-60R-BT will search for the closest available Bluetooth device and automatically connect to that device.



Fig. 1

5. Once Bluetooth pairing is successful, the display will change back to the CD screen and "TX" will be showing in the upper right the LCD Display (#2) (Fig 2). This confirms the unit is transmitting Bluetooth.



Fig. 2

NOTE: Please note that the pairing time could be longer when connecting with a device for the first time.

6. Press the PLAY / PAUSE BUTTON (#5) to start playing the CD and begin streaming (Fig 3). The music from the CD will be heard on the connected Bluetooth device.
7. If you move out of Bluetooth range (33 feet) with the CD-60R-BT, the "TX" indicator on the LCD Display (#2) will begin flashing. Move the CD-60R-BT or your Bluetooth device back within range and reconnect the Bluetooth device if necessary.
8. If you want to connect to another Bluetooth device, first turn OFF the power on the current device you are connected to.
9. Make sure the new Bluetooth device to you want to connect to is ON, set to pairing mode and placed near the CD-60R-BT.
10. Repeat Follow steps 3 – 7 to connect to the new Bluetooth device.



Fig. 3

Notes:

- Bluetooth streaming is not available in FM radio mode.
- If Bluetooth speaker or headphone has been connected before turning off, it will automatically connect back to the previous one during next connection.

- If the CD player is stopped for approximately 120 seconds, the power will automatically turn off, so you may need to repeat the Bluetooth connection steps above to stream again.
- If you need to remove a previously connected device from the CD-60R-BT, press and hold the SCAN / A-B BUTTON (# 8) to disconnect it. Immediately turn off the Bluetooth device to prevent the CD-60R-BT from reconnecting to it.
- This model is compatible with Bluetooth versions 4.0 & 5.0. Please try your other Bluetooth speaker or headphone if it is unable to find by this model.

TURNING OFF BLUETOOTH TRANSMISSION

1. Press and hold the BLUETOOTH TX BUTTON (#9) until "OFF" appears on the LCD Display (#2) as shown in Fig 4.
2. The Bluetooth transmitter is now off and no longer connected to any device.



Fig. 4

BBS FUNCTION

Tap the BBS ON/OFF BUTTON (#11) to turn on the BBS to enhance the bass effect of the music. Tap again to turn off the BBS.

HOLD FUNCTION

To prevent accidental function changes during active use, this unit is fitted with a function hold. After the unit has been powered on and playing in CD or FM mode, slide the HOLD SWITCH (#16) to ON position. "HOLD KEY" message will show on the LCD display (#2) for 2 seconds when you press a key. Set the HOLD SWITCH (#16) to OFF position to unlock the hold function.

Note: Auto power off for saving battery power will not be affected by hold function.

RESETTING THE UNIT

If the unit experiences a power surge or electric shock, it is possible that the internal micro-controller may lock up and the unit will not respond to any commands from the panel controls. In this event, press and hold the ►|| / ⏻ button until unit turns off. Waiting for 30 seconds and then press and hold the ►|| / ⏻ button to turn on the unit again.

CARE AND MAINTENANCE

1. Clean your unit with a damp (never wet) cloth. Solvent or detergent should never be used.
2. Avoid leaving your unit in direct sunlight or in hot, humid or dusty places.
3. Keep your unit away from heating appliances and sources of electrical noise such as fluorescent lamps or motors.
4. If drop-outs or interruptions occur in the music during CD play, or if the CD fails to play at all, its bottom surface may require cleaning. Before playing, wipe the disc from the center outwards with a good soft cleaning cloth.



TROUBLE SHOOTING GUIDE

If you experience difficulties in the use of this clock radio, please check the following or call 1-800-777-5331 for Customer Service and support

SYMPTOM	POSSIBLE	SOLUTION
No sound	Volume set at minimum	Increase Volume.
Noise or sound distorted on FM broadcast	Earphone cord is not extended	Extend earphone cord
Radio no sound	The unit is not in RADIO (FM) mode	Switch to FM mode
	The station is weak	Retune the station again
CD player will not play	Unit not in CD mode	Switch to CD mode
	CD is installed incorrectly	Insert CD with label side up.
	Battery becomes exhausted	Fully recharge the built-in rechargeable battery.
	If the CD is self-compiled, the media used may not be compatible with the player.	Use better quality blank media and retest.
CD skips while playing	Disc is dirty or scratched.	Wipe CD with clean cloth or use another disc.
	Dirty or defective disc	Clean or replace the defective disc
	Dirty pick up lens	Use a CD-lens cleaning disc to clean the lens
	Player is subject to excessive shock or vibration	Relocate the player away from shock or vibration
CD skips while playing	Battery becomes exhausted	Fully recharge the built-in rechargeable battery.
Cannot pair with Bluetooth speaker	The unit is not in Bluetooth (TX) mode	Switch to Bluetooth (TX) mode
	No power is turned on is Bluetooth speaker or headphone	Turn Power on the Bluetooth speaker or headphone

SPECIFICATION

Power Requirement:

5V DC (1.0A) Micro-USB (cable supplied)
 Built-in lithium-ion rechargeable battery (3.7V/1000 mAh)
 AC Adaptor (not included): Input: AC 120V ~ 60Hz

Output: DC 5V  1000mA 

FM Frequency:

87.5 – 108 Mhz

Bluetooth:

Version 5.0



At Spectra, environmental and social responsibility is a core value of our business. We are dedicated to continuous implementation of responsible initiatives with an aim to conserve and maintain the environment through responsible recycling.

Please visit us at <http://www.spectraintl.com/green.htm> for more information on Spectra's green initiatives or to find a recycler in your area.

The *Bluetooth*® word mark and logos are registered trademarks owned by Bluetooth SIG, Inc. and any use of such marks by Spectra Merchandising Intl, Inc. is under license. Other trademarks and trade names are those of their respective owners.

1 YEAR LIMITED WARRANTY AND SERVICE VALID IN THE U.S.A. ONLY

SPECTRA MERCHANDISING INTERNATIONAL, INC. warrants this unit to be free from defective materials or factory workmanship for a period of 1 year from the date of original customer purchase and provided the product is utilized within the U.S.A. This warranty is not assignable or transferable. Our obligation under this warranty is the repair or replacement of the defective unit or any part thereof, except batteries, when it is returned to the SPECTRA Service Department, accompanied by proof of the date of original consumer purchase, such as a duplicate copy of a sales receipt.

You must pay all shipping charges required to ship the product to SPECTRA for warranty service. If the product is repaired or replaced under warranty, the return charges will be at SPECTRA's expense. There are no other express warranties other than those stated herein.

This warranty is valid only in accordance with the conditions set forth below:

1. The warranty applies to the SPECTRA product only while:
 - a. It remains in the possession of the original purchaser and proof of purchase is demonstrated.
 - b. It has not been subjected to accident, misuse, abuse, improper service, usage outside the descriptions and warnings covered within the user manual or non-SPECTRA approved modifications.
 - c. Claims are made within the warranty period.
2. This warranty does not cover damage or equipment failure caused by electrical wiring not in compliance with electrical codes or SPECTRA user manual specifications, or failure to provide reasonable care and necessary maintenance as outlined in the user manual.
3. Warranty of all SPECTRA products applies to residential use only and is void when products are used in a nonresidential environment or installed outside the United States.

This warranty gives you specific legal rights, and you may also have other rights which vary from state to state. TO OBTAIN SERVICE please remove all batteries (if any) and pack the unit carefully and send it freight prepaid to SPECTRA at the address shown below. IF THE UNIT IS RETURNED WITHIN THE WARRANTY PERIOD shown above, please include a proof of purchase (dated cash register receipt) so that we may establish your eligibility for warranty service and repair of the unit without cost. Also include a note with a description explaining how the unit is defective. A customer service representative may need to contact you regarding the status of your repair, so please include your name, address, phone number and email address to expedite the process.

It is recommended that you contact SPECTRA first at 1-800-777-5331 or by email at custserv@spectraintl.com for updated information on the unit requiring service. In some cases the model you have may be discontinued, and SPECTRA reserves the right to offer alternative options for repair or replacement.

SPECTRA MERCHANDISING INTERNATIONAL, INC.
4230 North Normandy Avenue,
Chicago, IL 60634, USA.
1-800-777-5331

To register your product, visit the link on the website below to enter your information.
<http://www.spectrainl.com/wform.htm>

0522

Printed in China